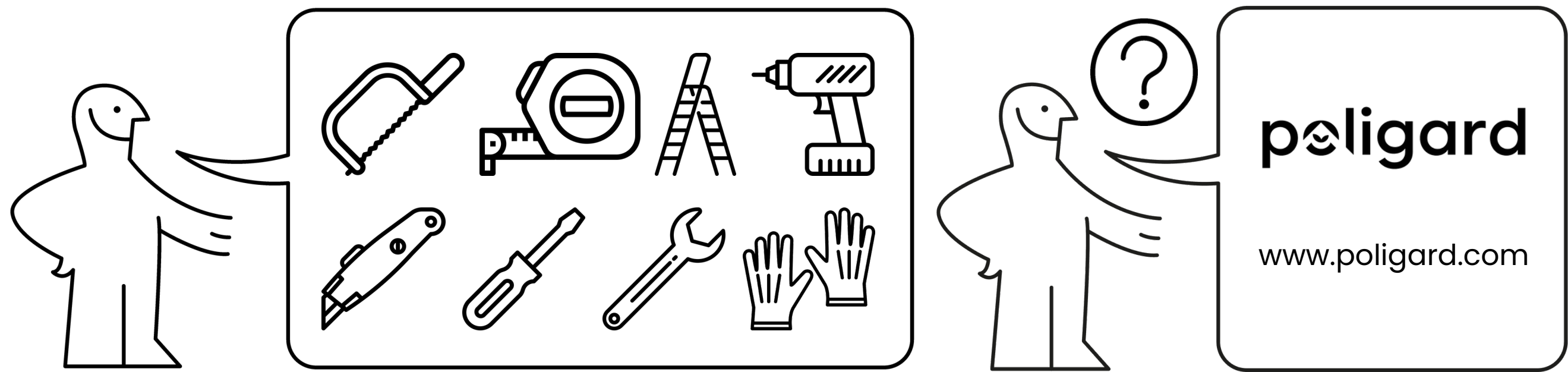


poligard

MANUAL FOR  
GREENHOUSE  
ARROW EU

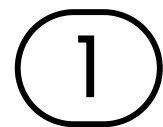




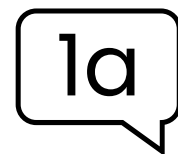
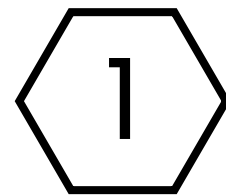
## Meanings of the symbols



Repeat the step so many times

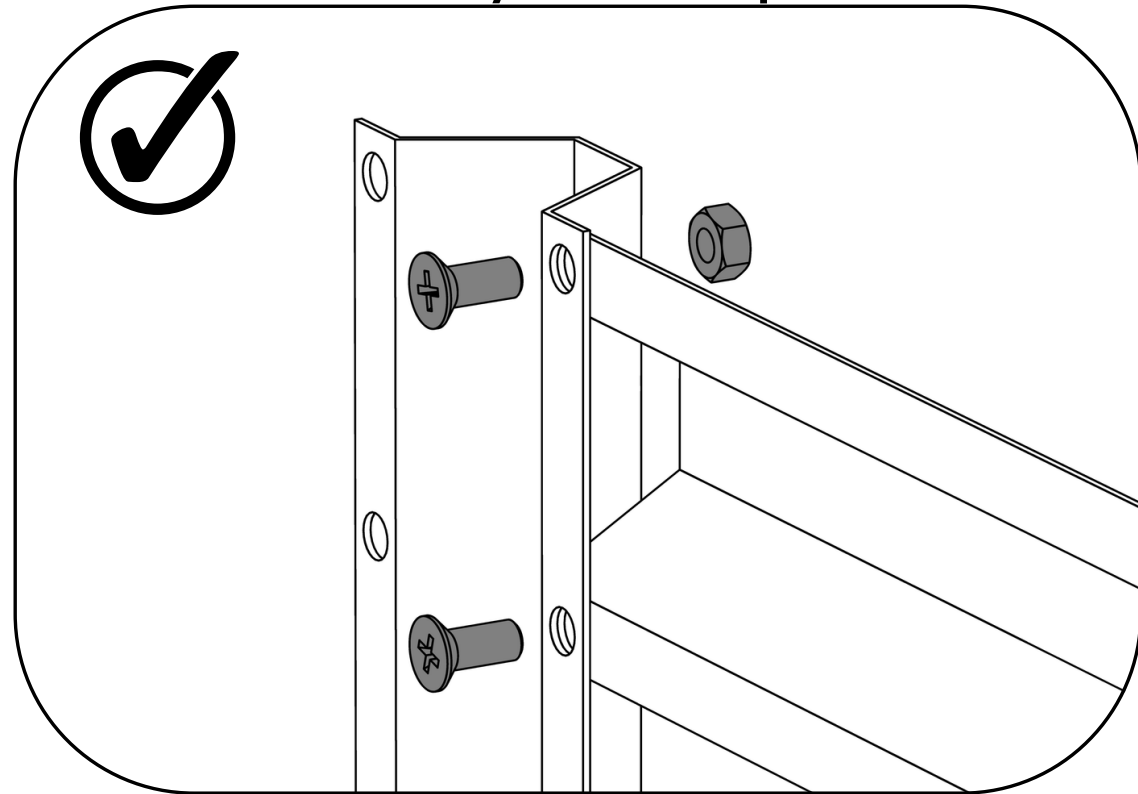


Part number

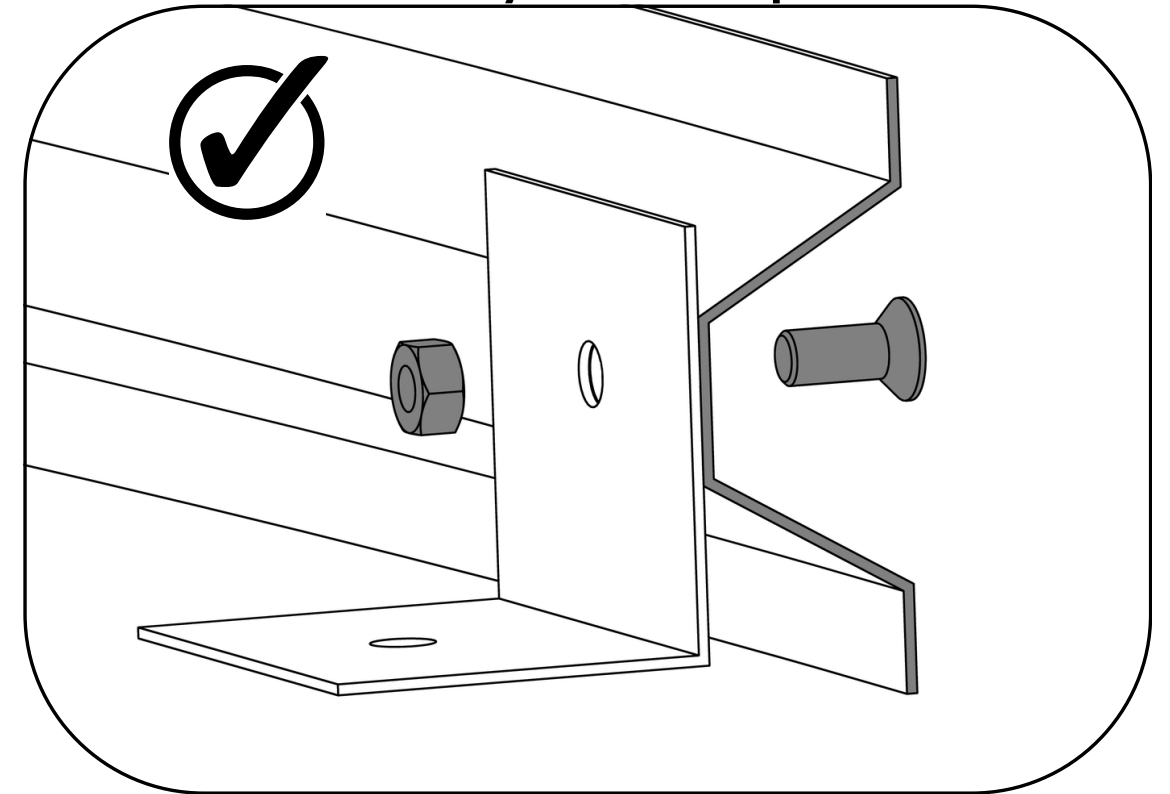


Assembly step number

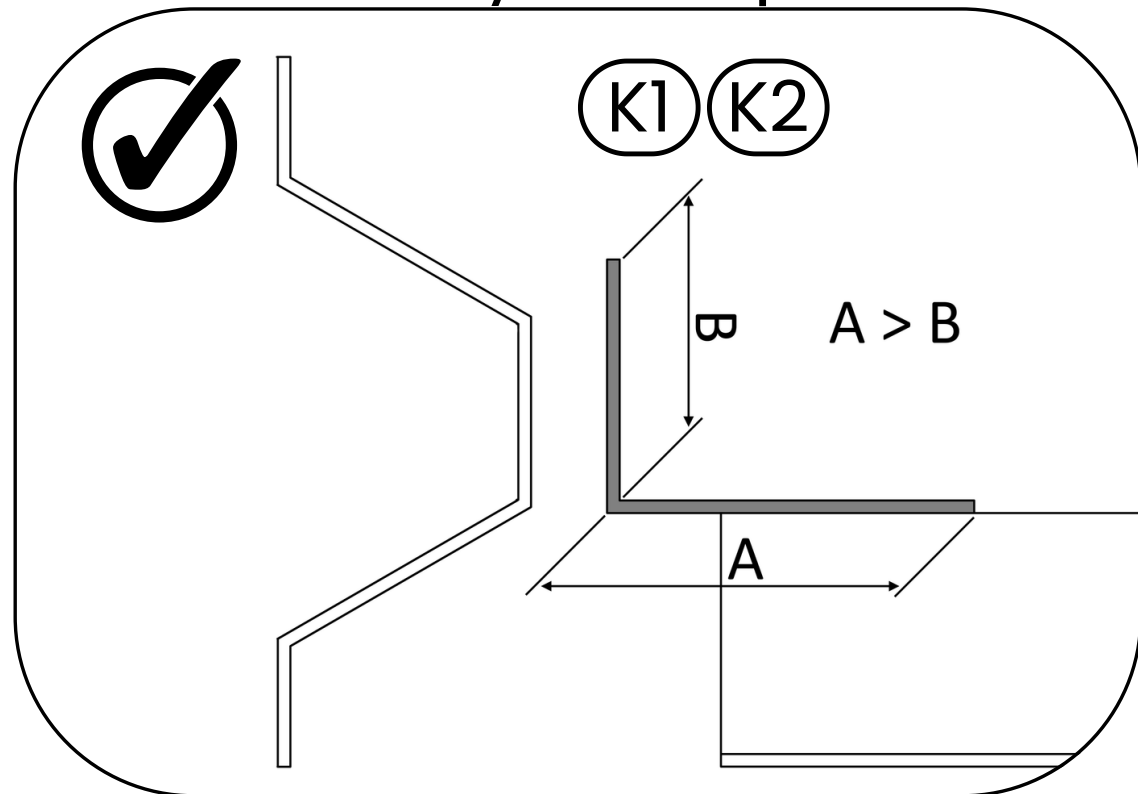
Assembly example **0A**



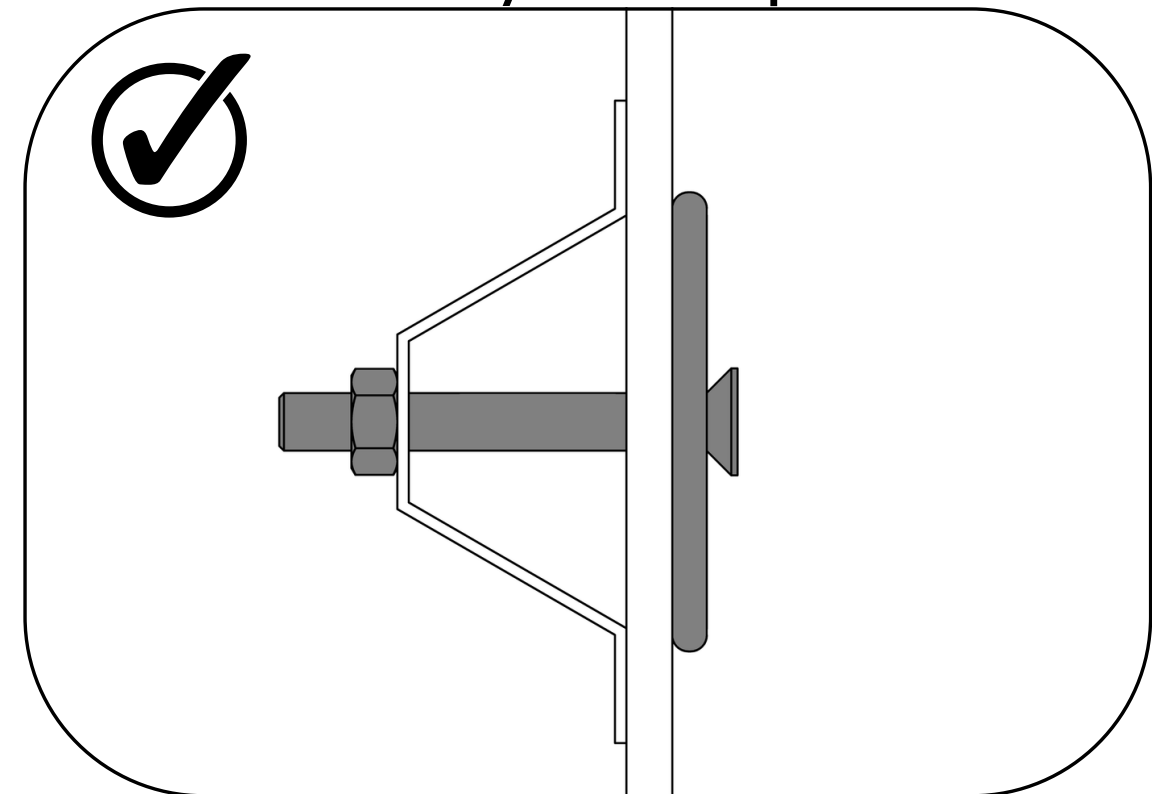
Assembly example **0B**



Assembly example **0C**



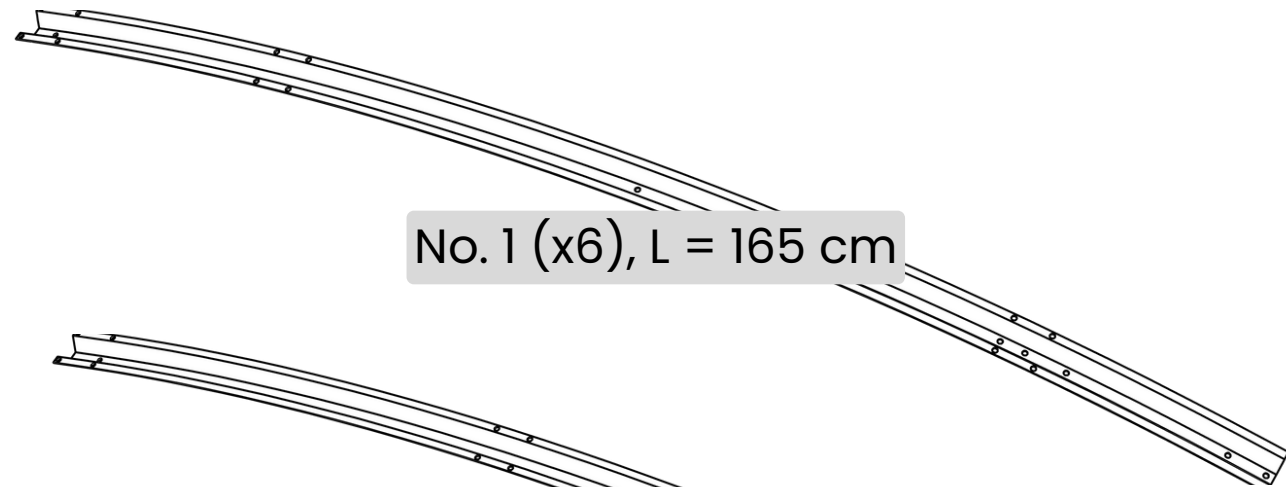
Assembly example **0D**



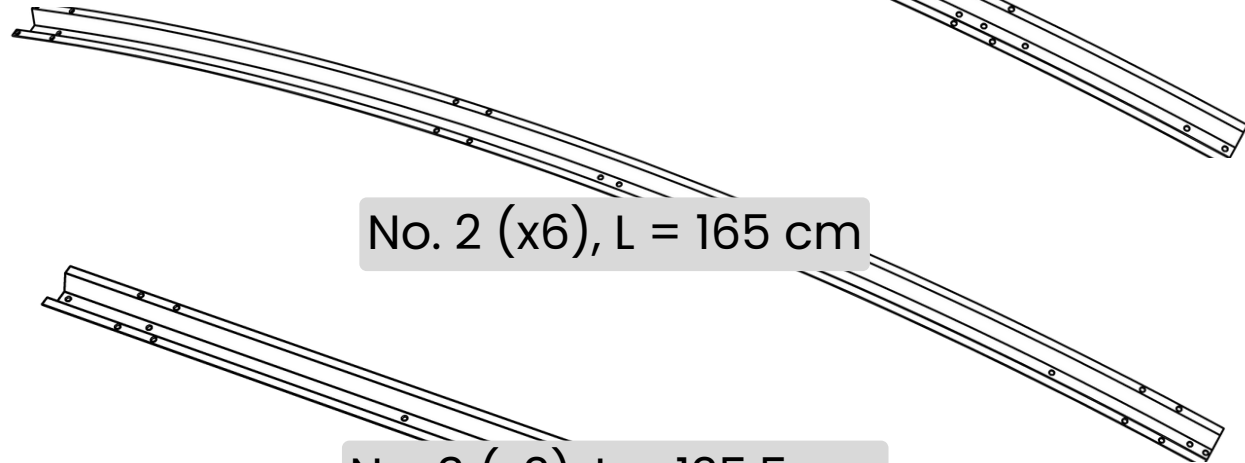
<b>BOX 1/3 - 195 x 80 x 57 cm - 28 kg</b>		
<b>Part No.</b>	<b>Length, cm</b>	<b>Qty.</b>
No. 1	165	6
No. 2	165	6
No. 3	125.5	2
No. 4	20	10
PC7, V-shape metal strip	108	2
PC8, Clamping for PC	105	4
D5 (for handle)	122	1
D4 (for hinges)	122	1
Angle K1 with 4 holes	-	3
Angle K2	-	12
Angle K3 for PC	-	12
PC9, Metal strip (0.5 mm)	593.5	3
Double-sided adhesive tape	5 m	1
Hinge	-	6
Handle	-	3
Nut M5	-	312
Screw M5 x 12	-	222
Screw M5 x 40	-	92
Plastic washer Ø40	-	78

<b>BOX 2/3 - 177 x 24 x 6 cm - 27 kg</b>		
<b>Part No.</b>	<b>Length, cm</b>	<b>Qty.</b>
No. 5	92.5	4
No. 6	74	4
No. 7	106	4
No. 8	193	4
No. 8.1	36	4
No. 9	37.5	1
No. 10	98.5	3
No. 11	95.5	16
D3	88.5	8
D2 (for hinges)	58	2
D1 (for handle)	58	2
<b>BOX 3/3 - 205 x 110 x 35 cm - 19 kg</b>		
<b>PC part No., W x L, cm</b>	<b>Qty.</b>	
PC1, 105 x 200	8	
PC2, 105 x 197	2	
PC3, 105 x 130	3	
PC4, 144 x 50	2	
PC5, 105 x 66	2	

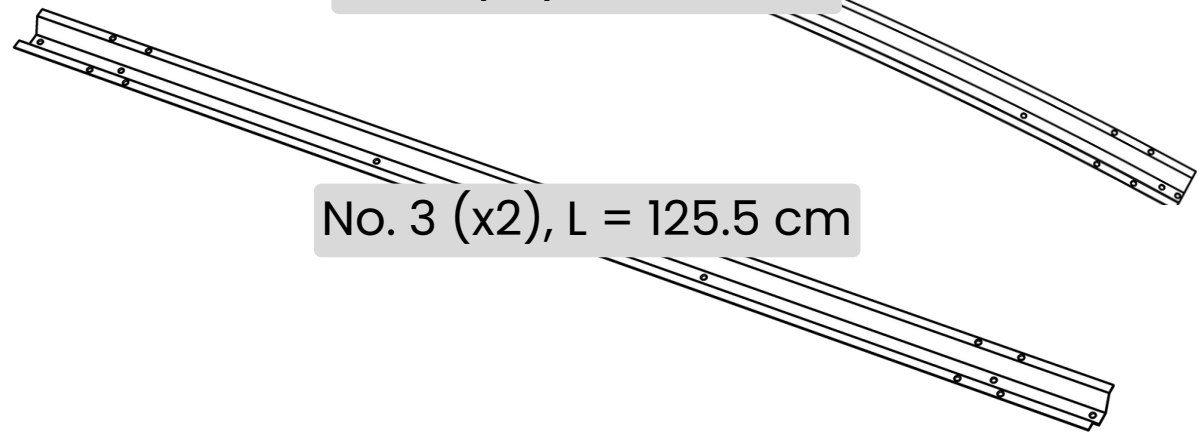




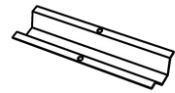
No. 1 (x6), L = 165 cm



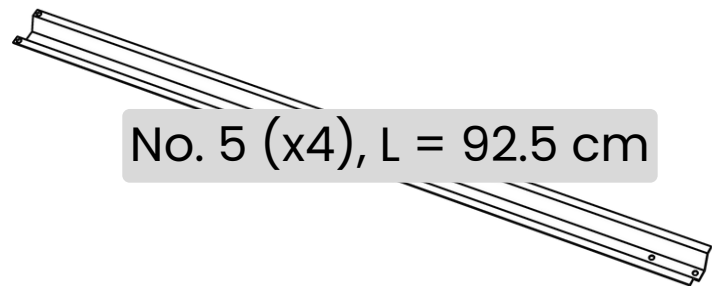
No. 2 (x6), L = 165 cm



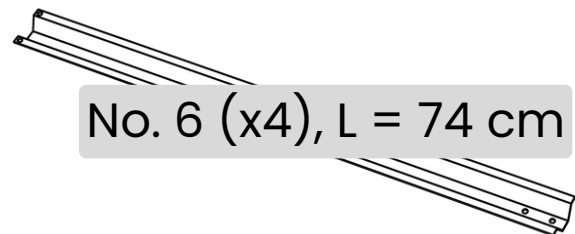
No. 3 (x2), L = 125.5 cm



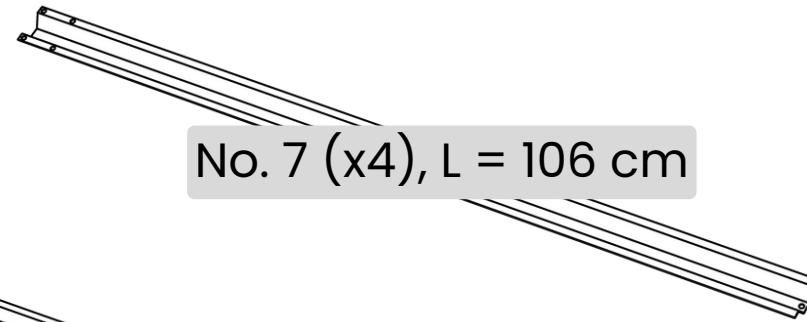
No. 4 (x10), L = 20 cm



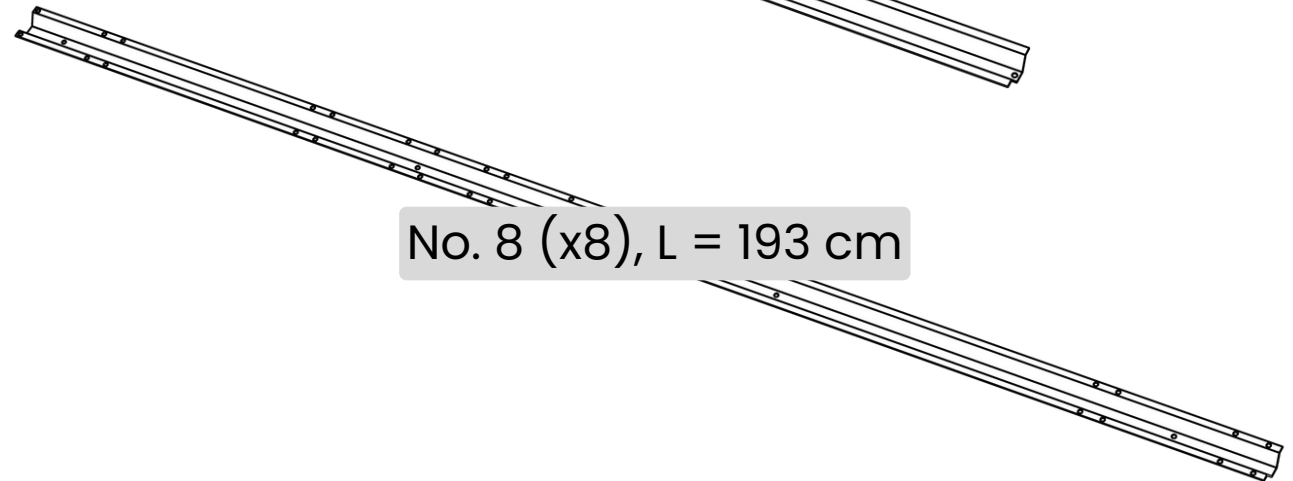
No. 5 (x4), L = 92.5 cm



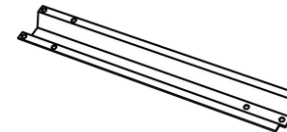
No. 6 (x4), L = 74 cm



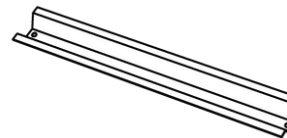
No. 7 (x4), L = 106 cm



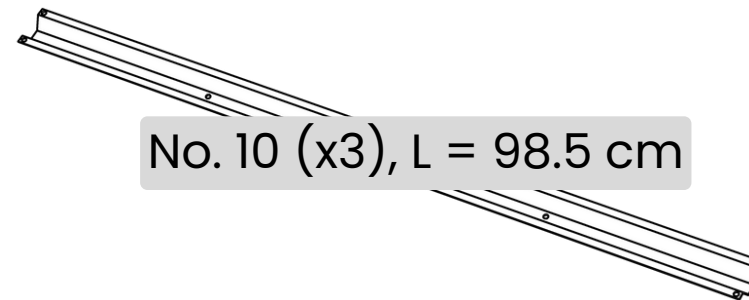
No. 8 (x8), L = 193 cm



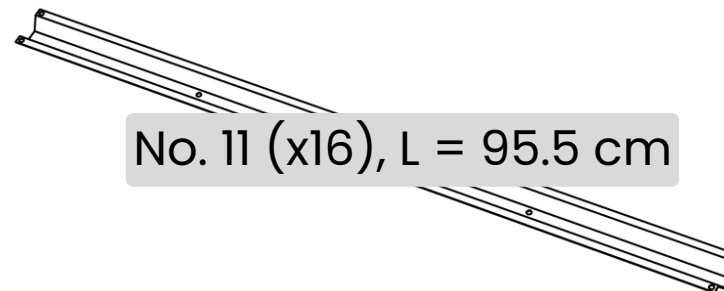
No. 8.1 (x4), L = 36 cm



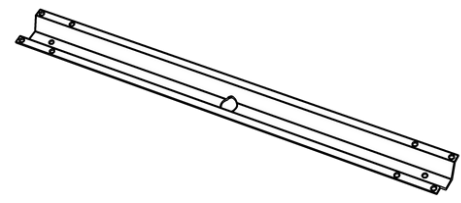
No. 9 (x1), L = 37.5 cm



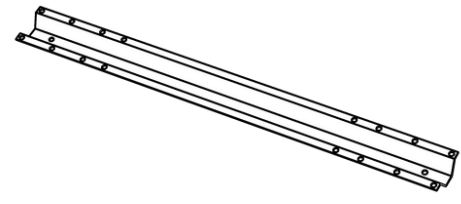
No. 10 (x3), L = 98.5 cm



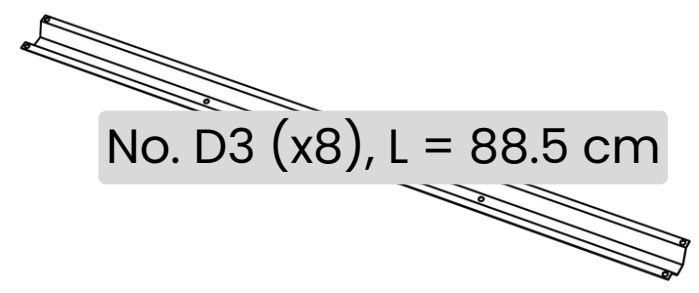
No. 11 (x16), L = 95.5 cm



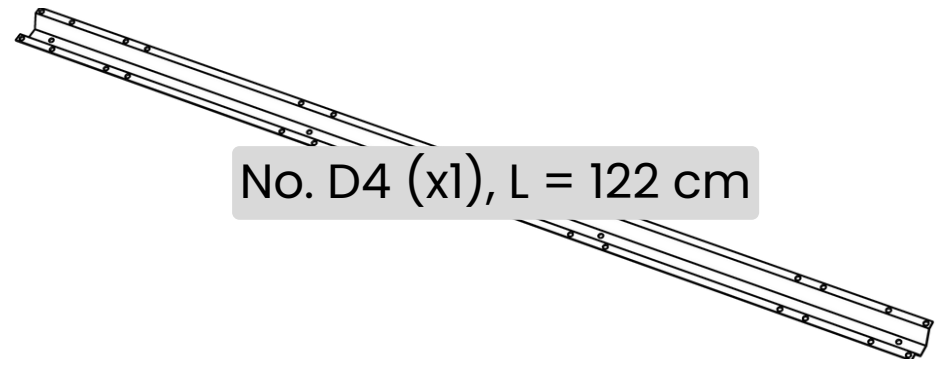
No. D1 (x2), L = 58 cm



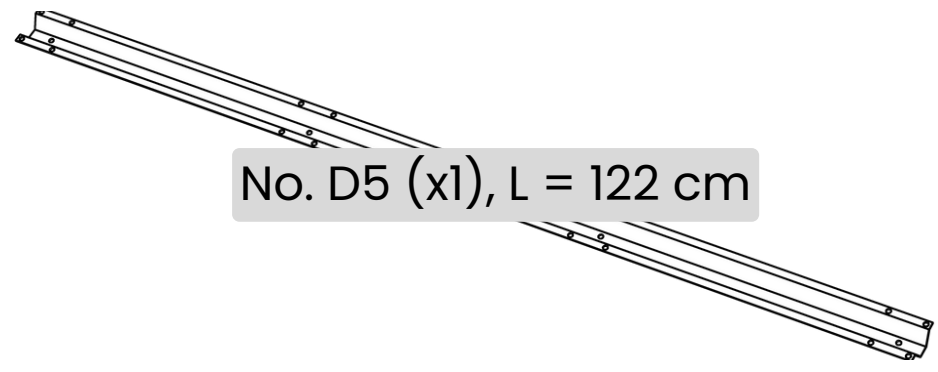
No. D2 (x2), L = 58 cm



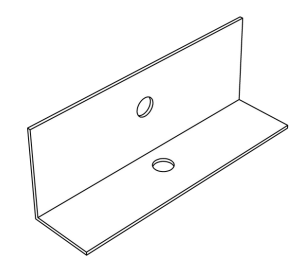
No. D3 (x8), L = 88.5 cm



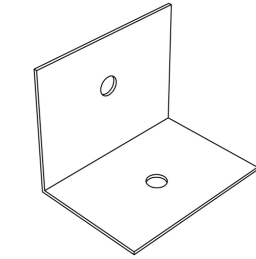
No. D4 (x1), L = 122 cm



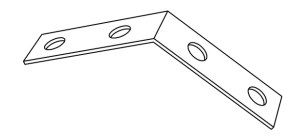
No. D5 (x1), L = 122 cm



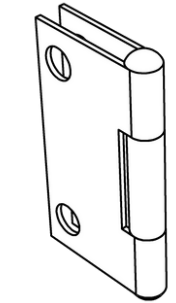
No. K2 (x12)



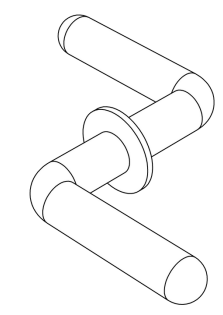
No. 3 (x12)



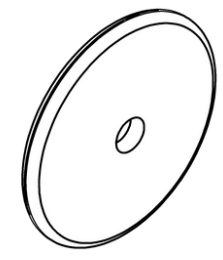
No. K1 (x3)



Hinge (x6)



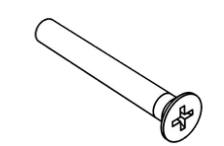
Handle (x3)



Plastic washer Ø40



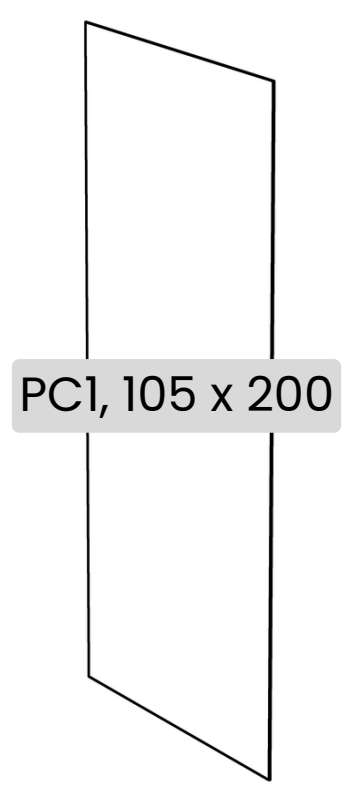
Screw M5 x 12



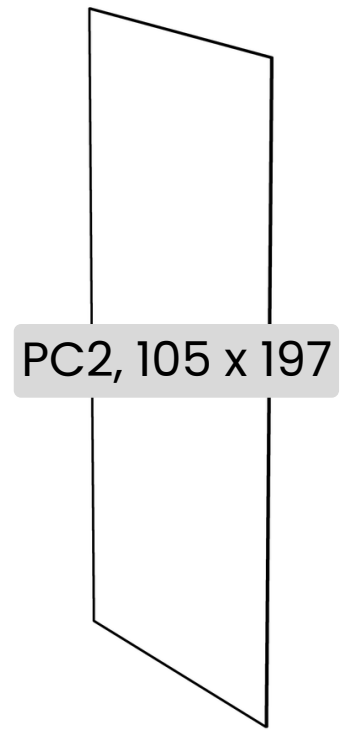
Screw M5 x 40



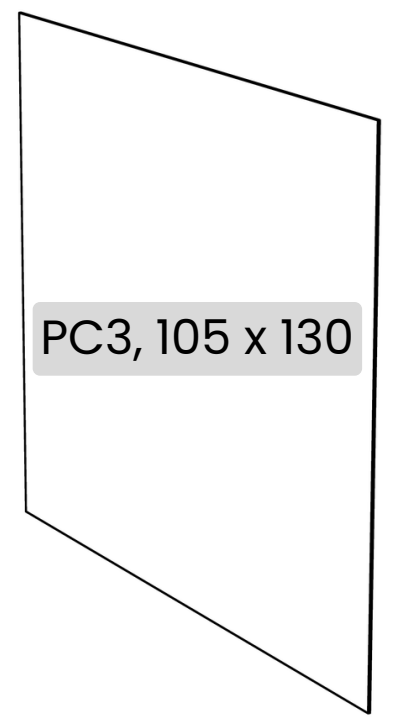
Nut M5



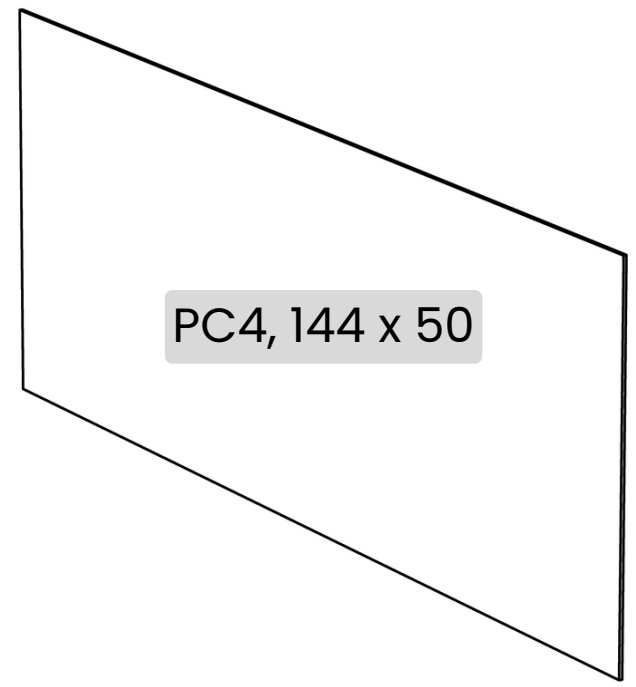
PC1, 105 x 200



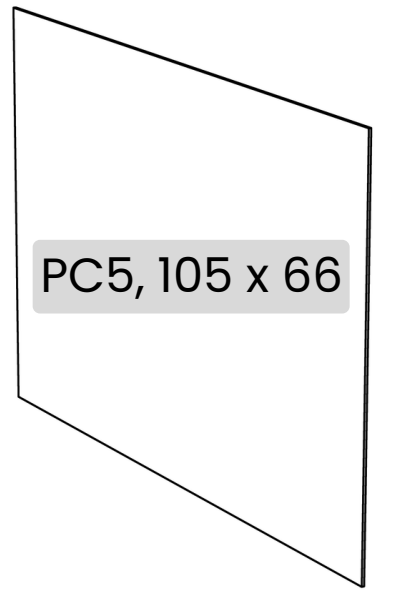
PC2, 105 x 197



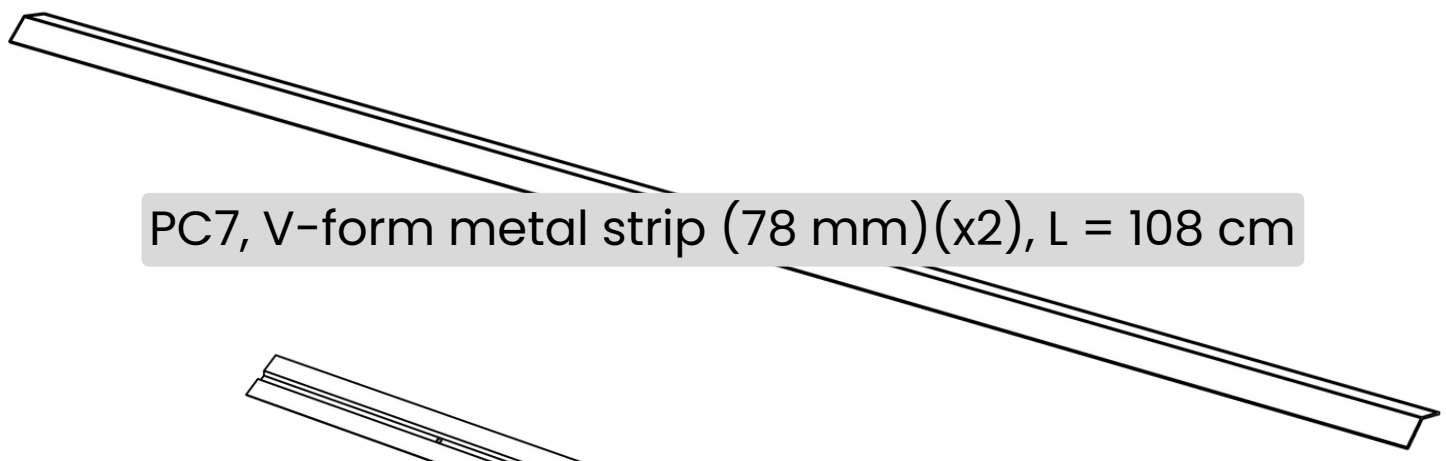
PC3, 105 x 130



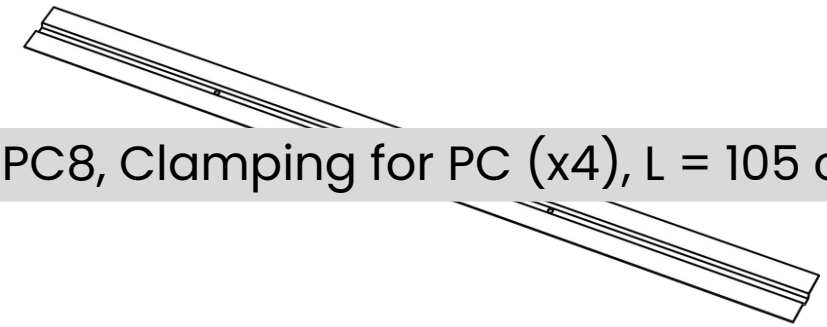
PC4, 144 x 50



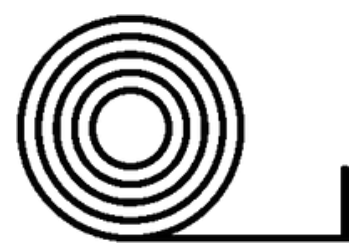
PC5, 105 x 66



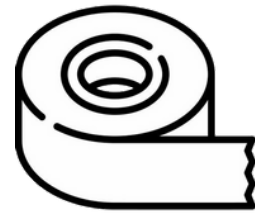
PC7, V-form metal strip (78 mm)(x2), L = 108 cm



PC8, Clamping for PC (x4), L = 105 cm



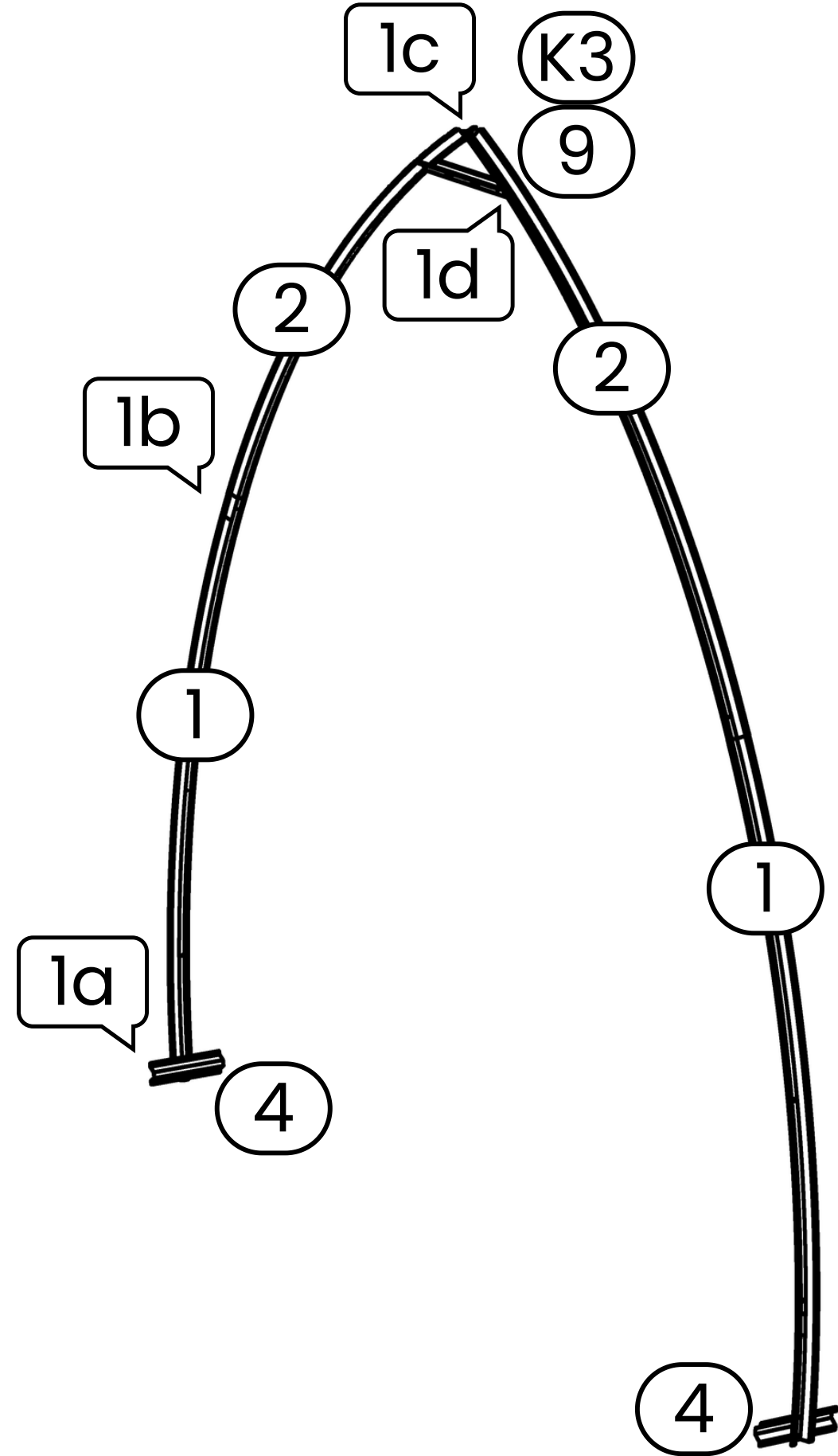
PC9, Metal strip (x3), L = 593.5 cm



Double-sided adhesive tape (x1)

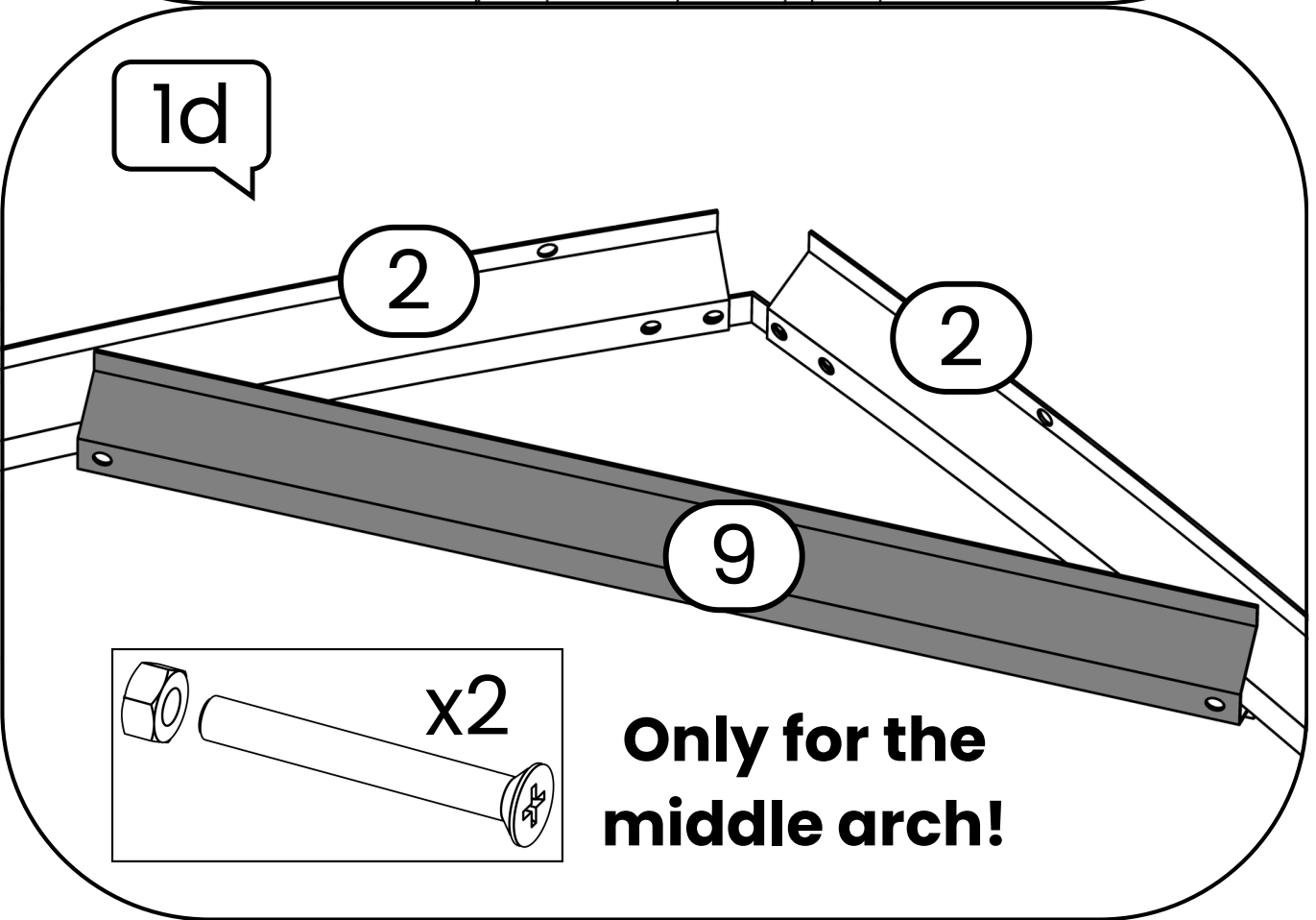
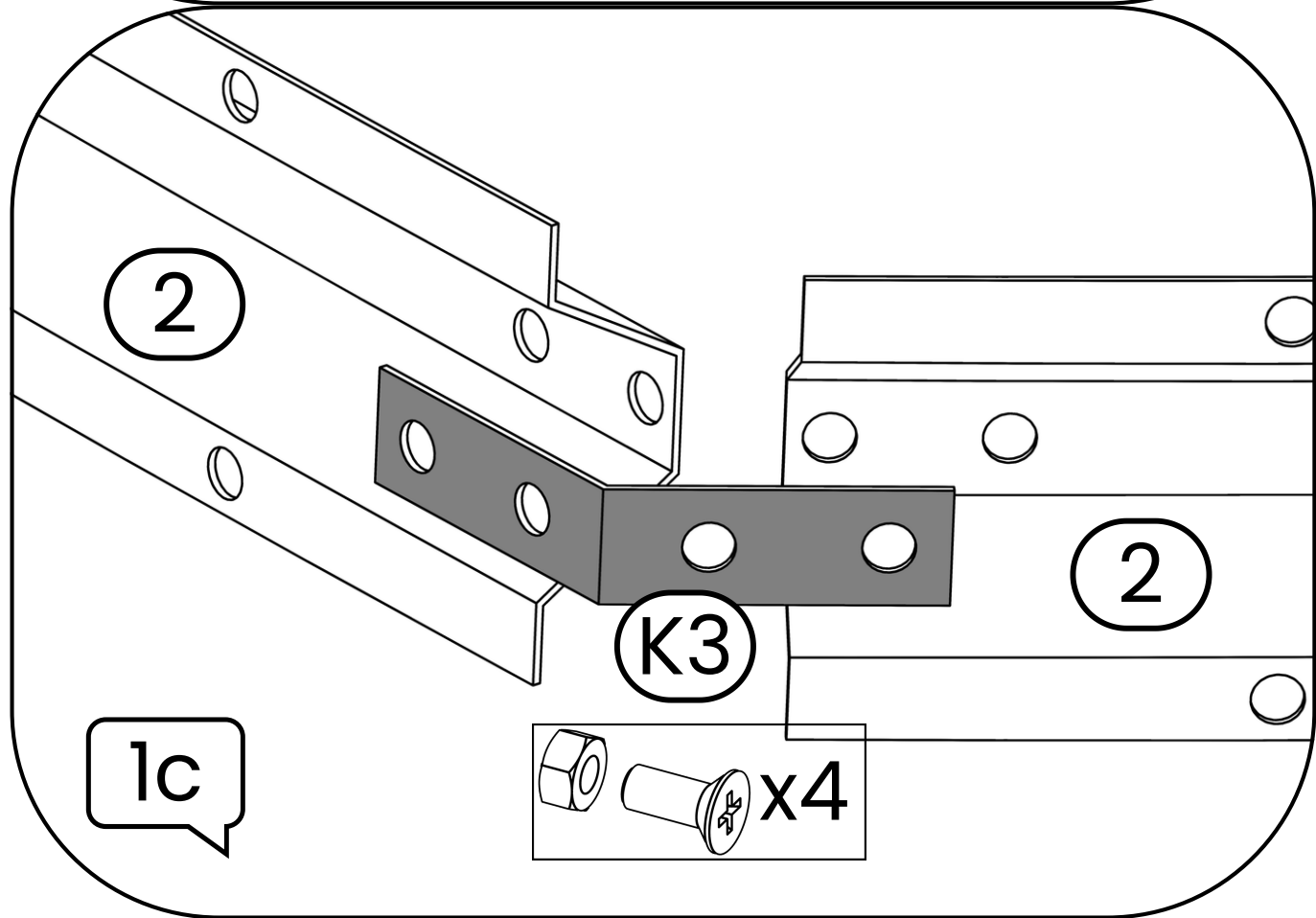
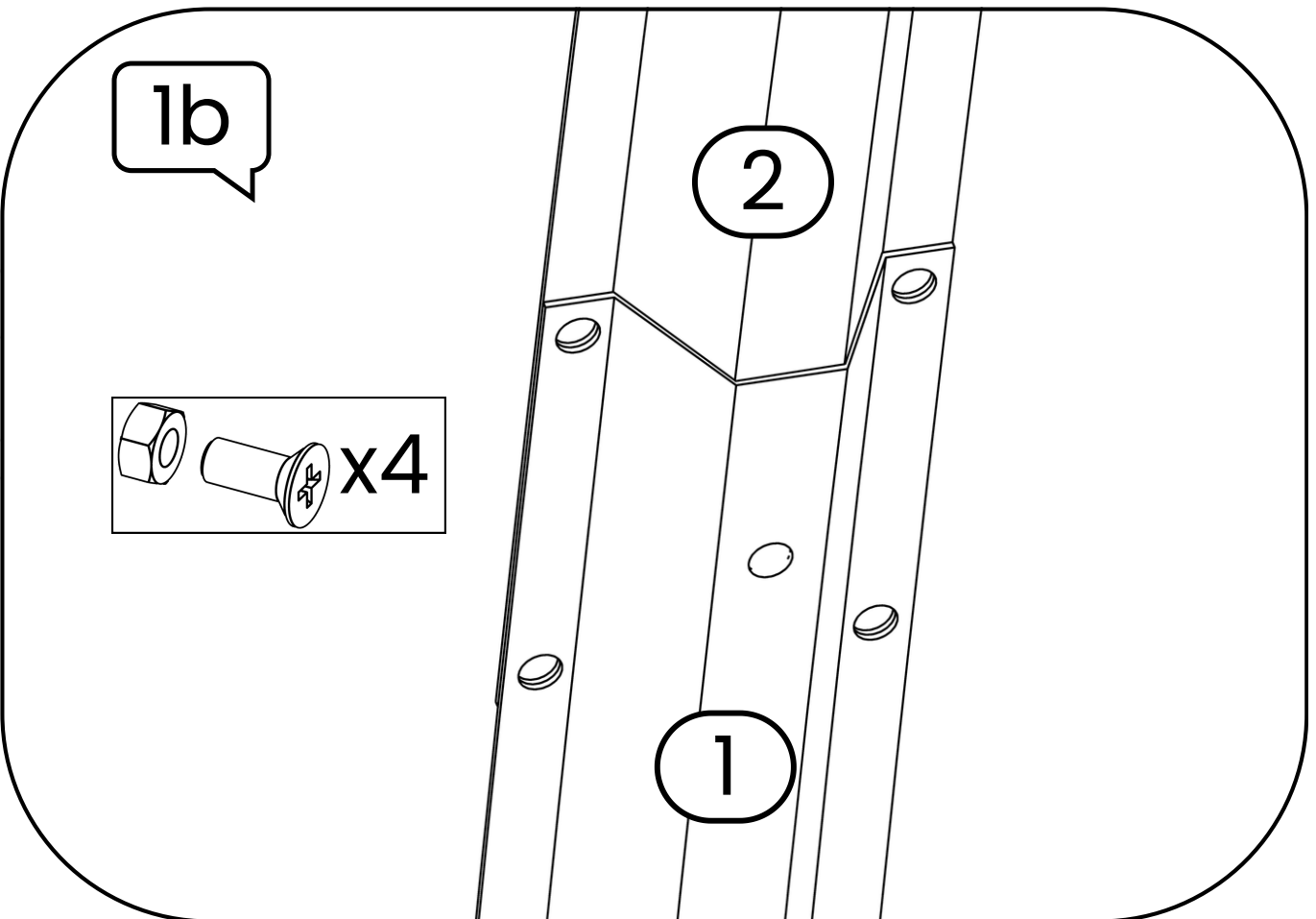
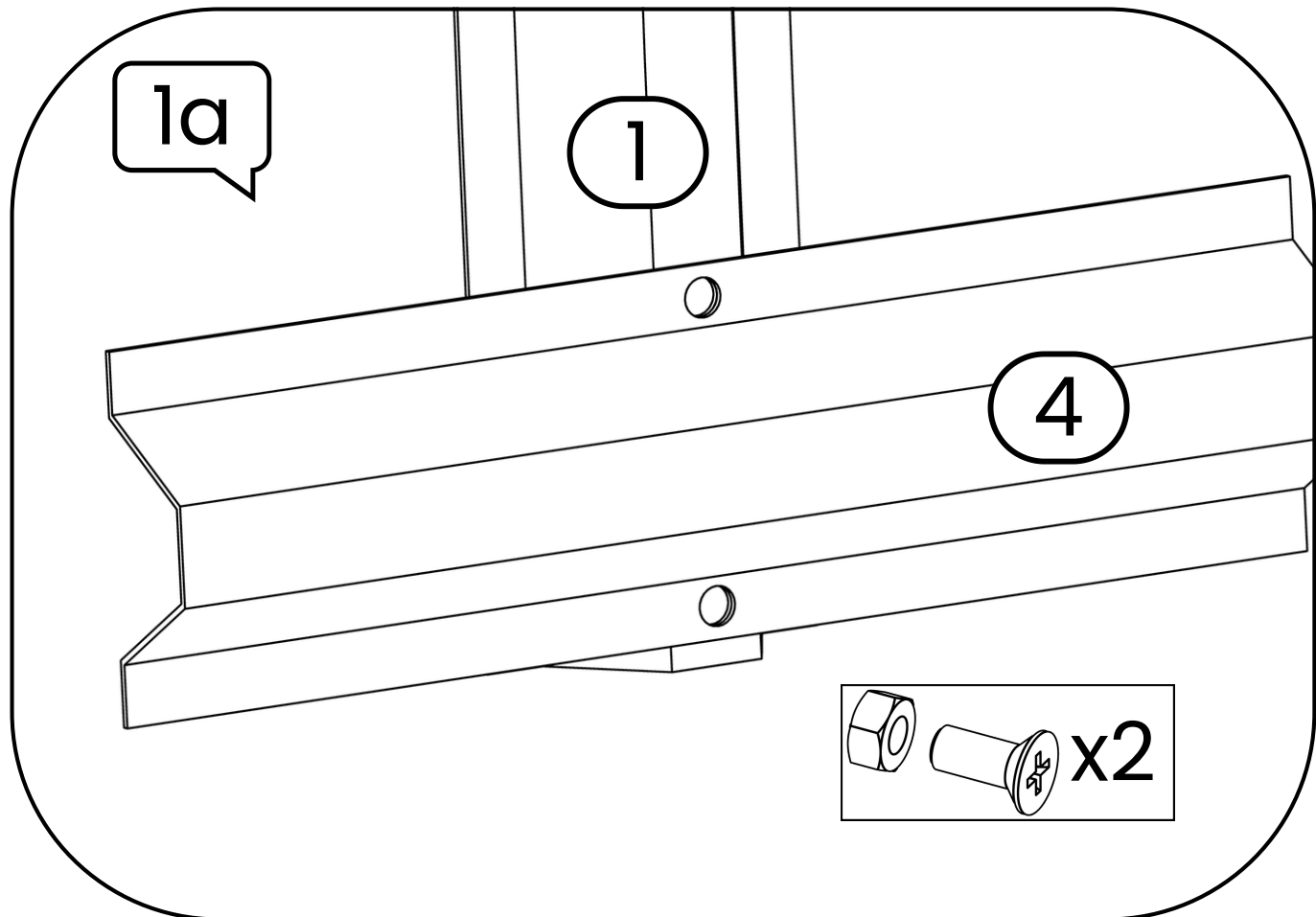
1

x3



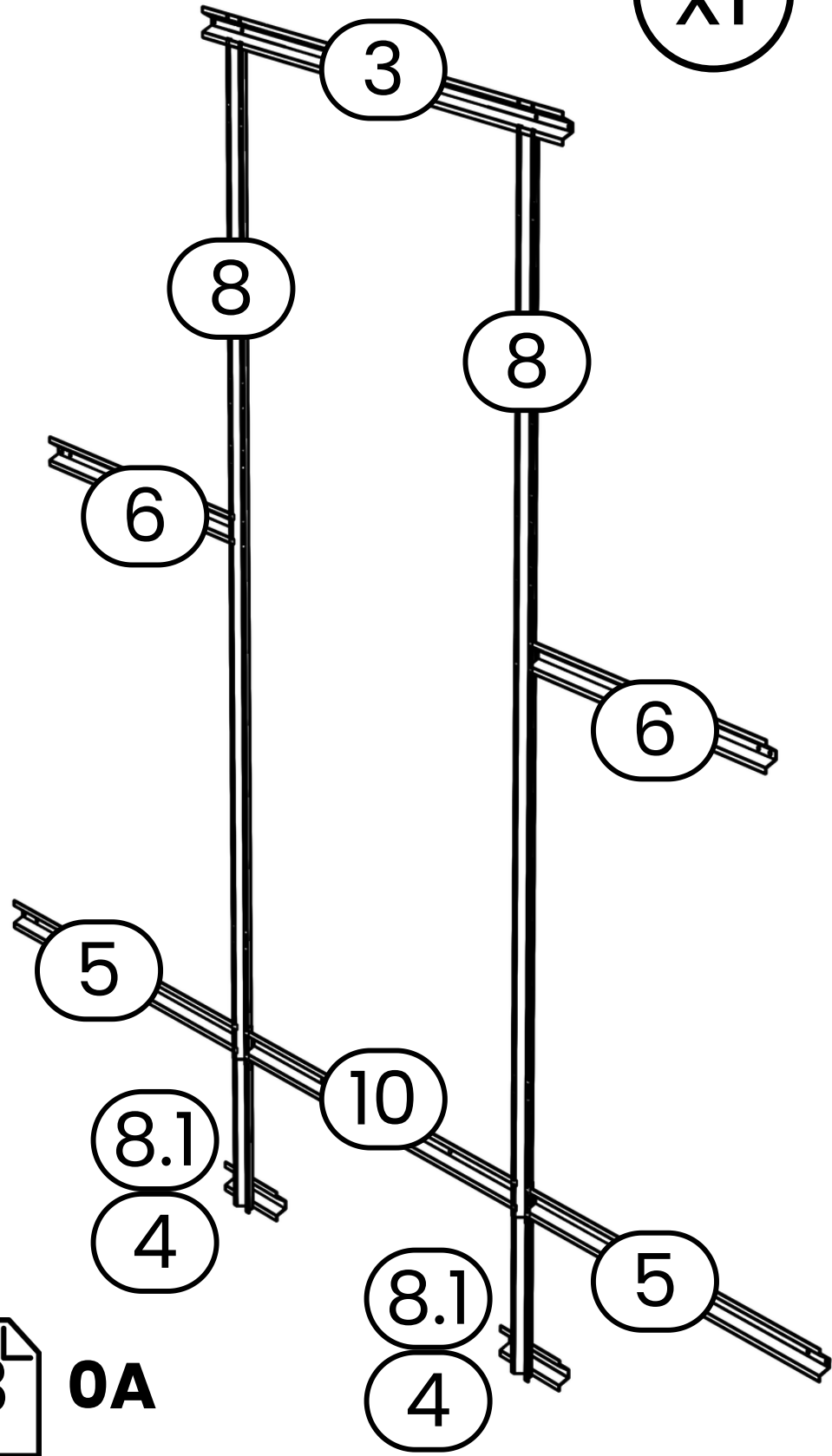
! 3 0A

Next page  
1a  
1b  
1c  
1d



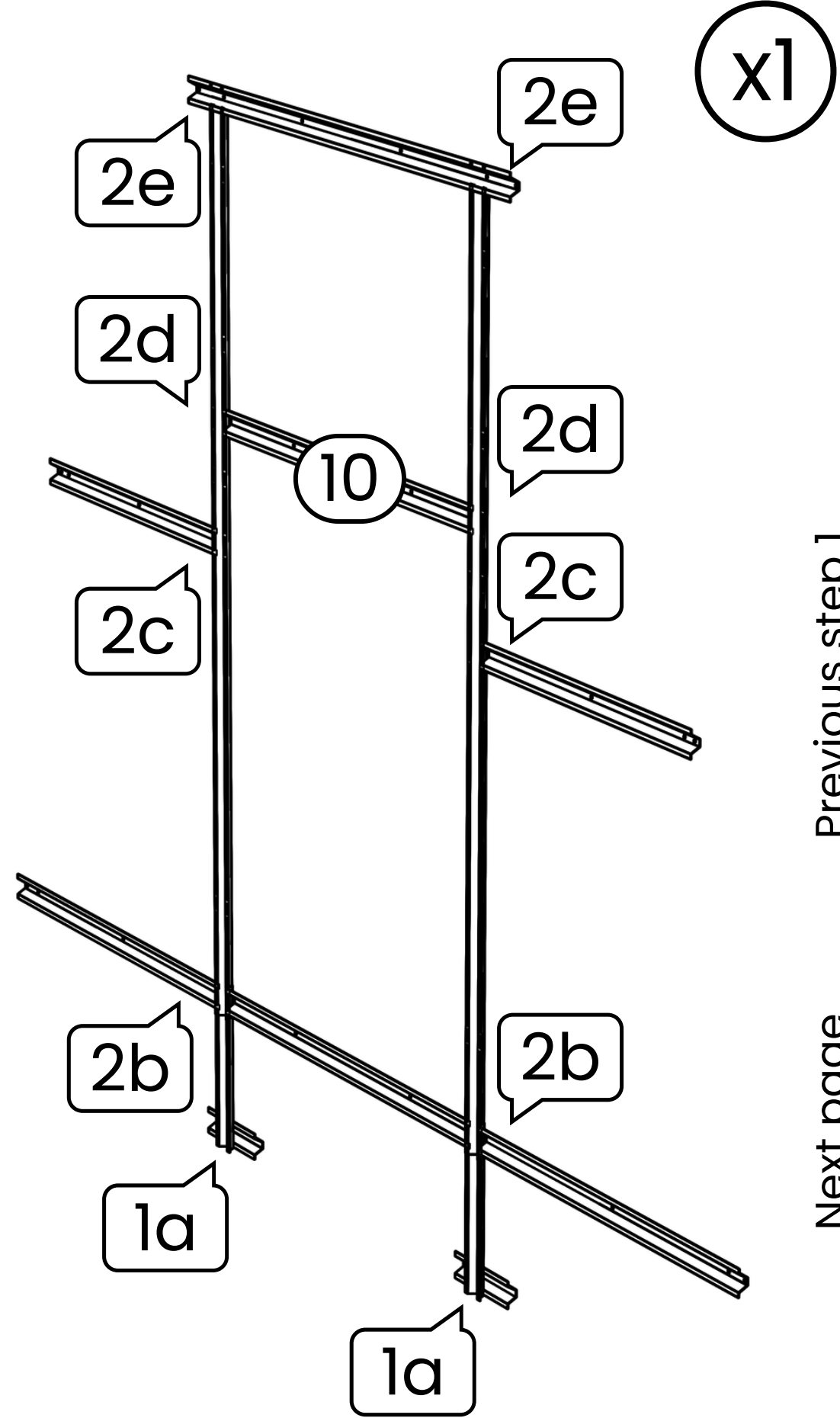
2

x1



3

0A



x1

Previous step 1

1a

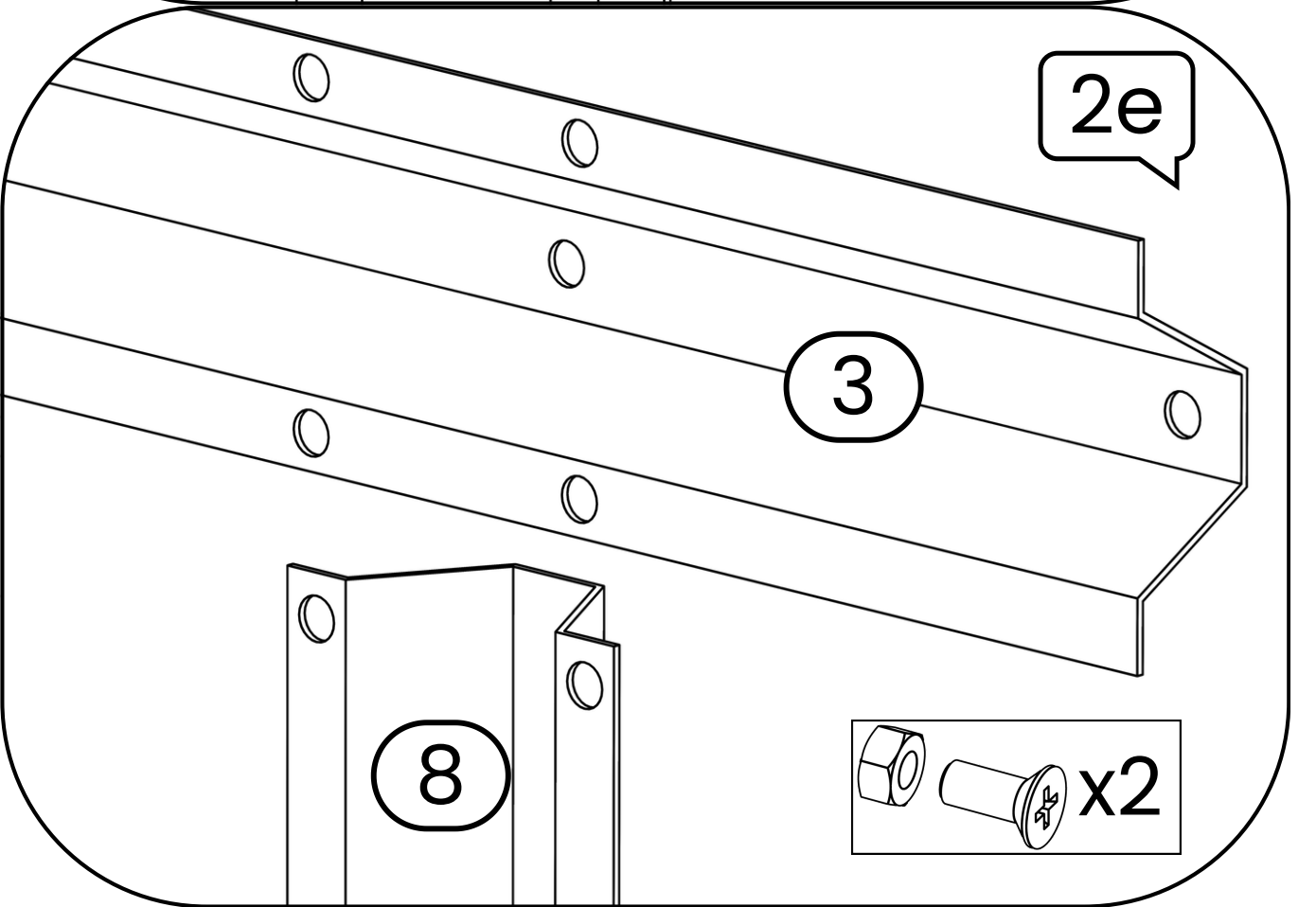
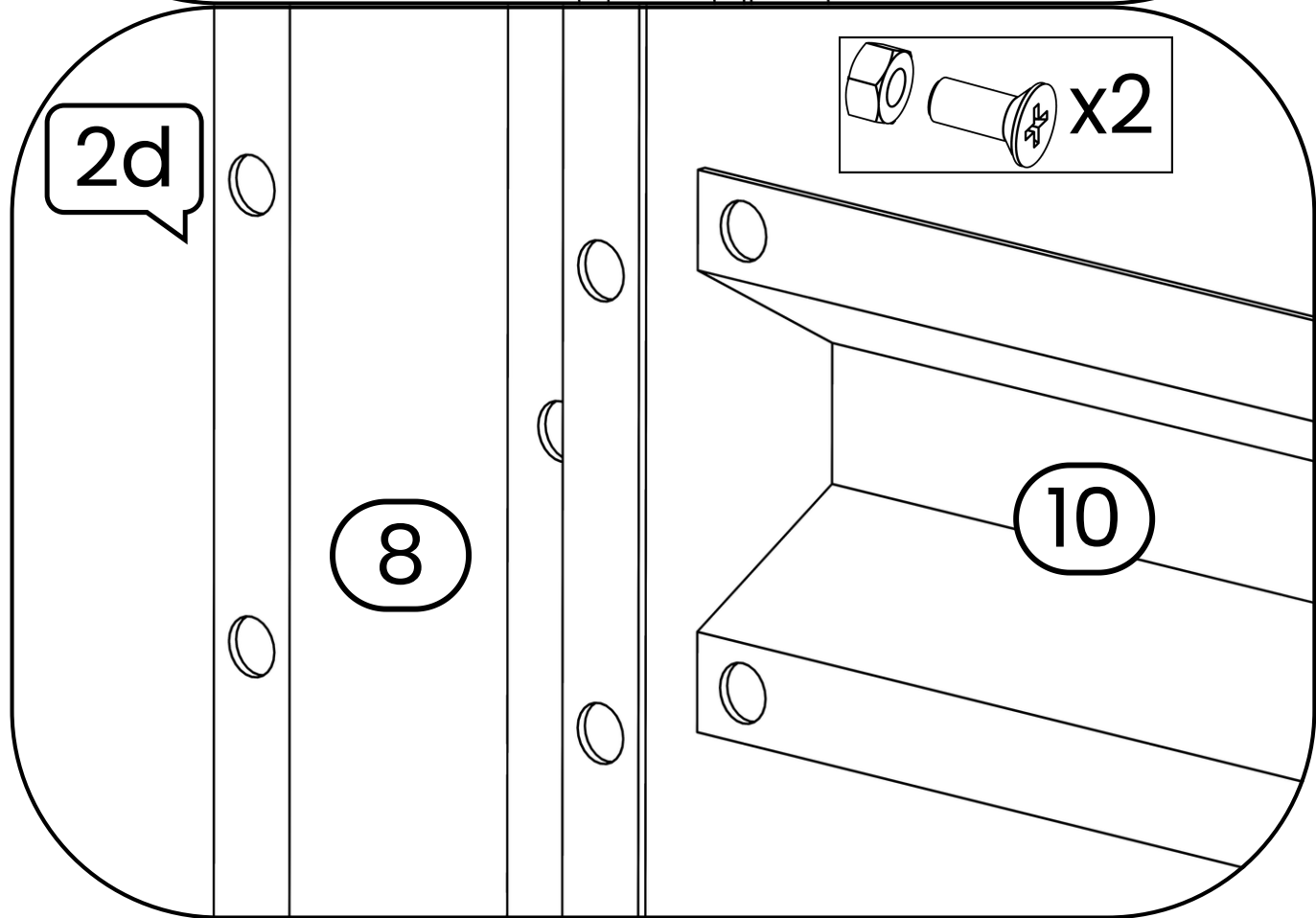
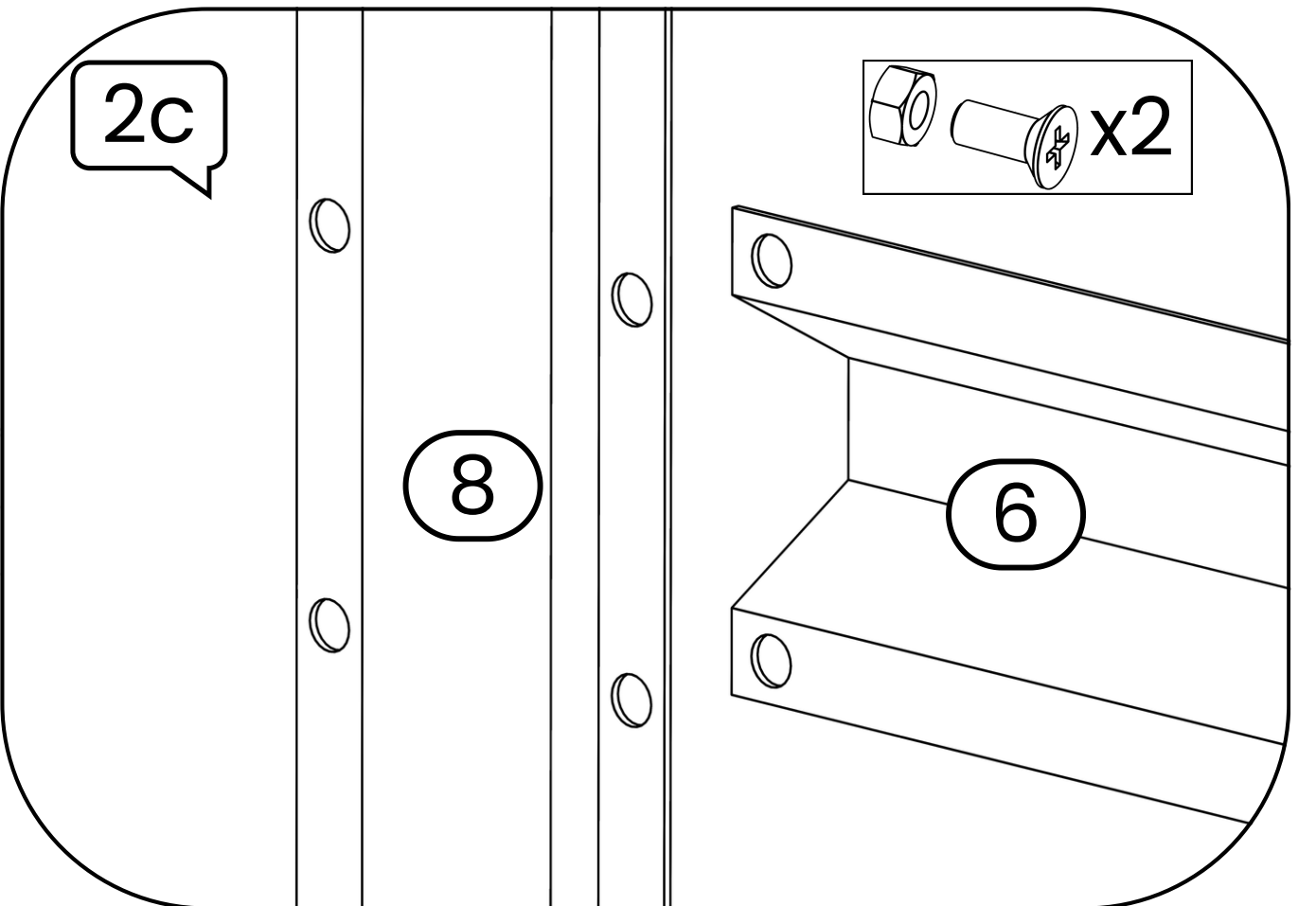
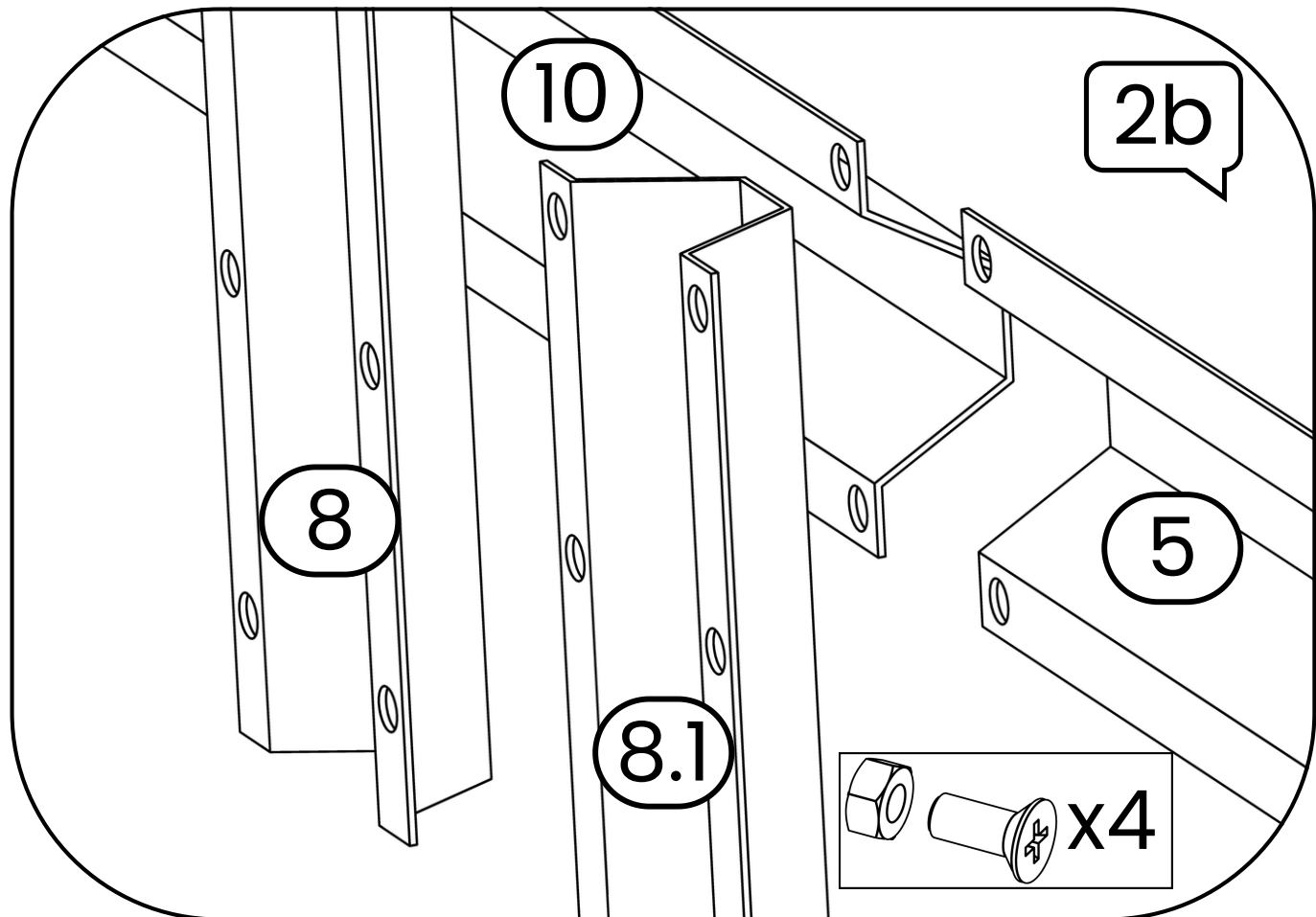
Next page

2b

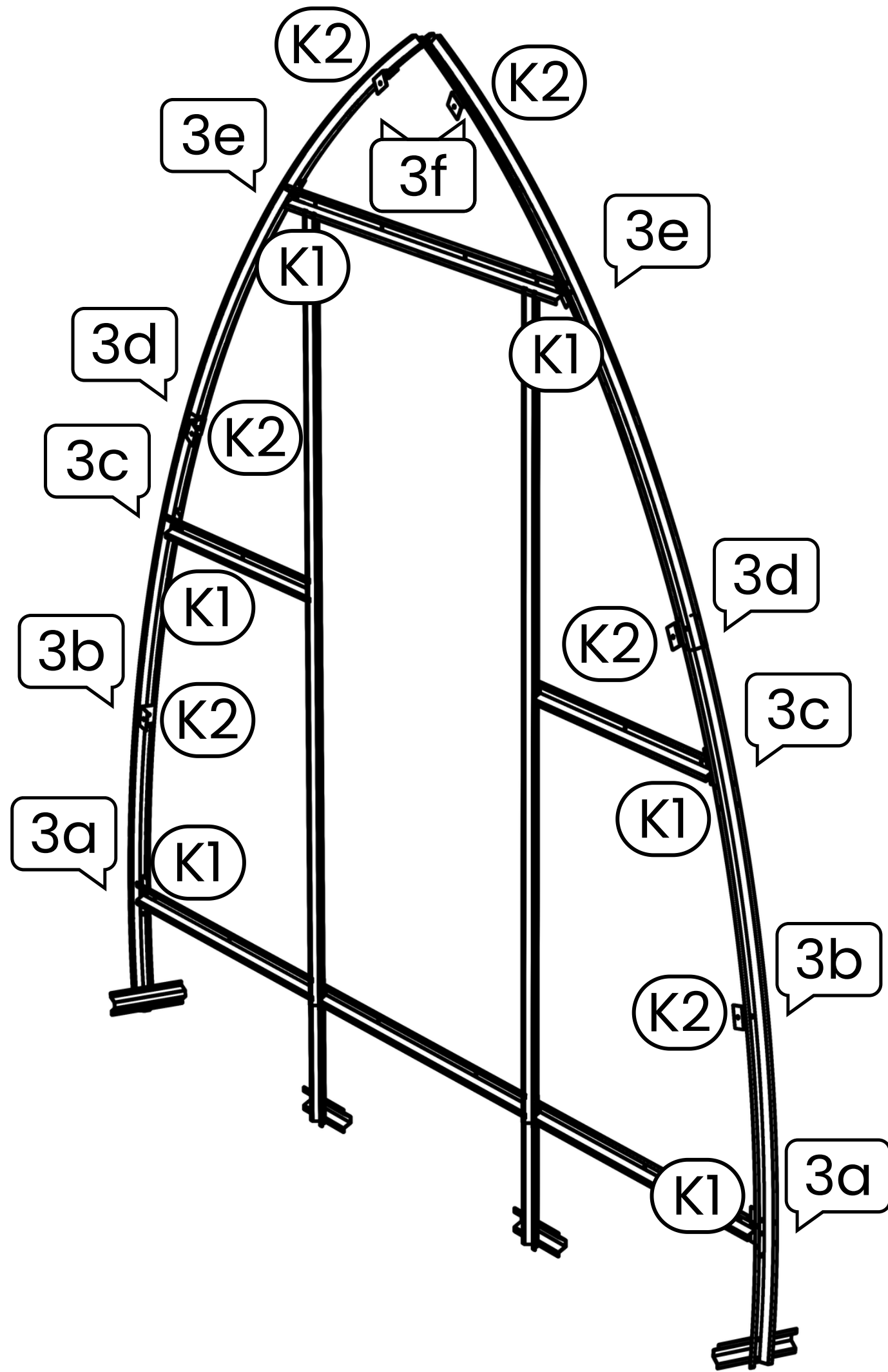
2c

2d

2e



3



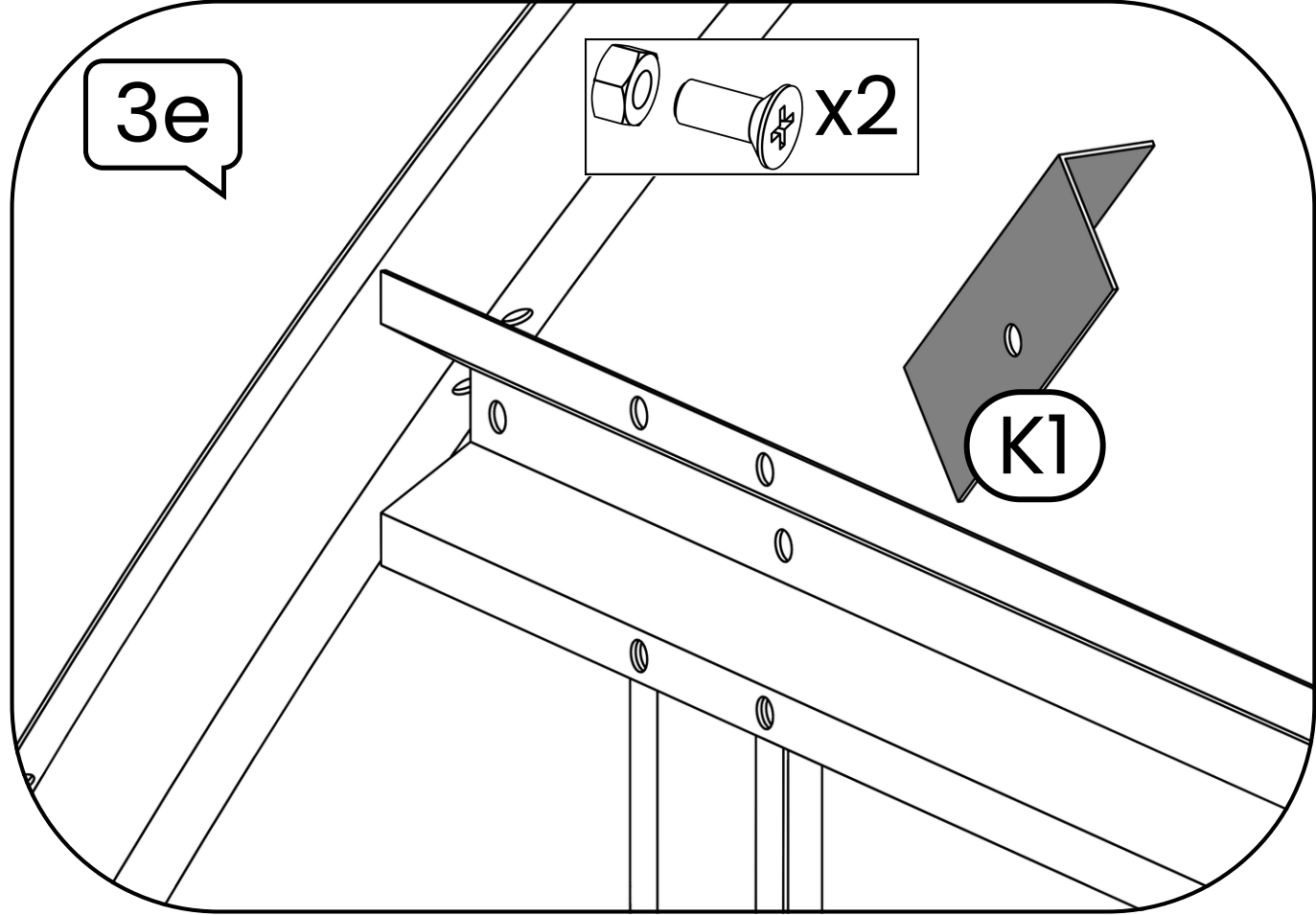
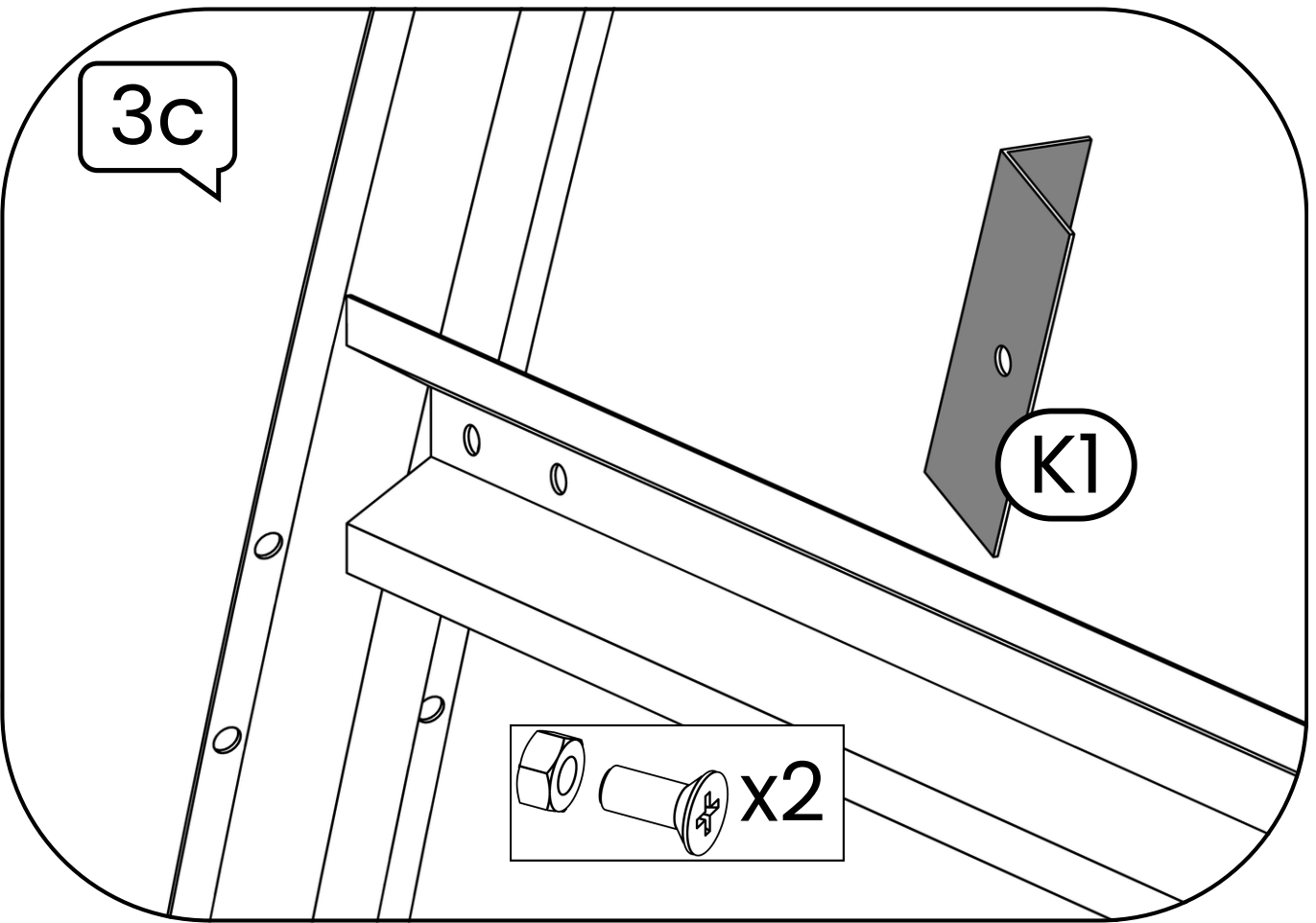
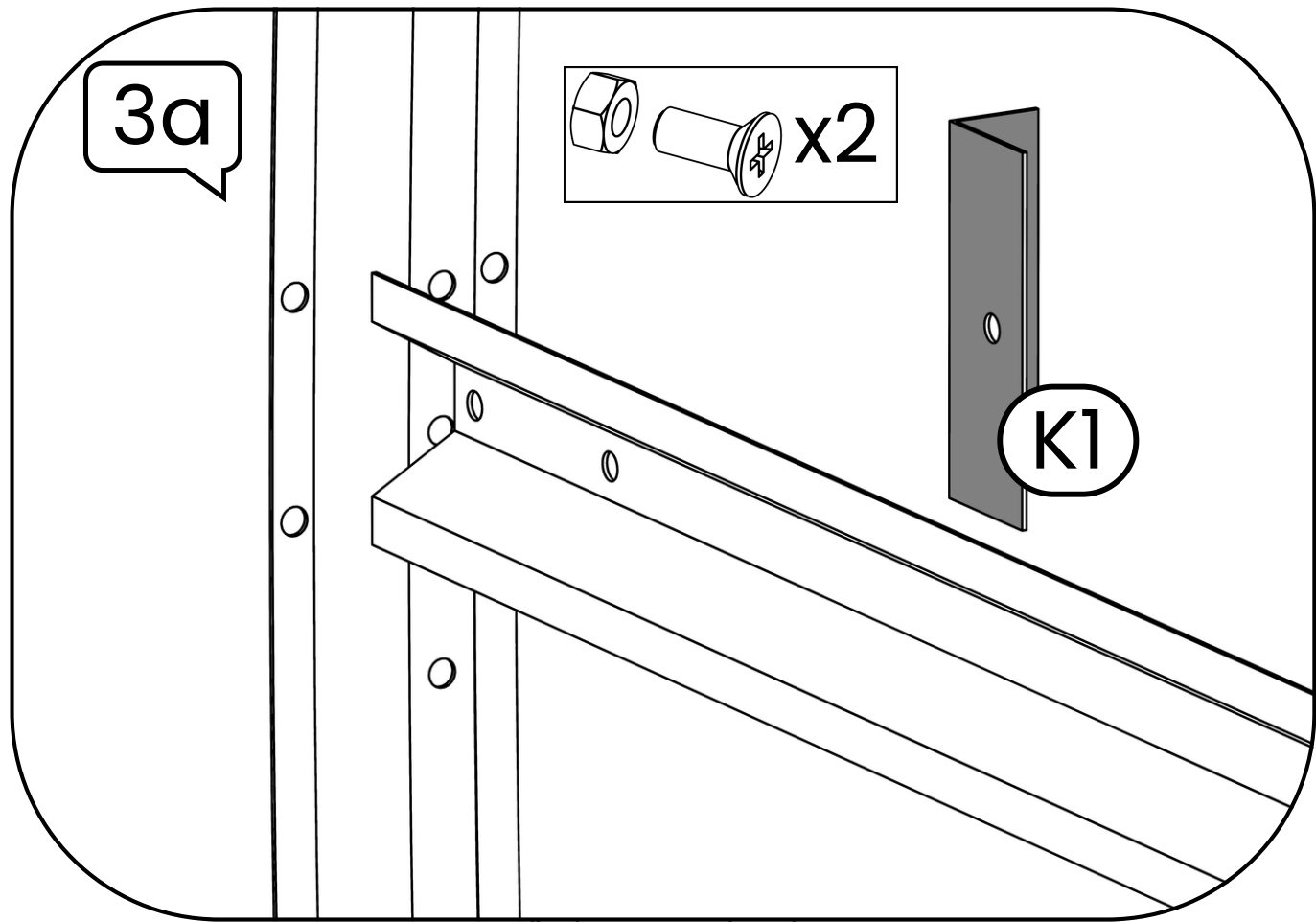
x2

! 3 0B  
! 3 0C

Next page

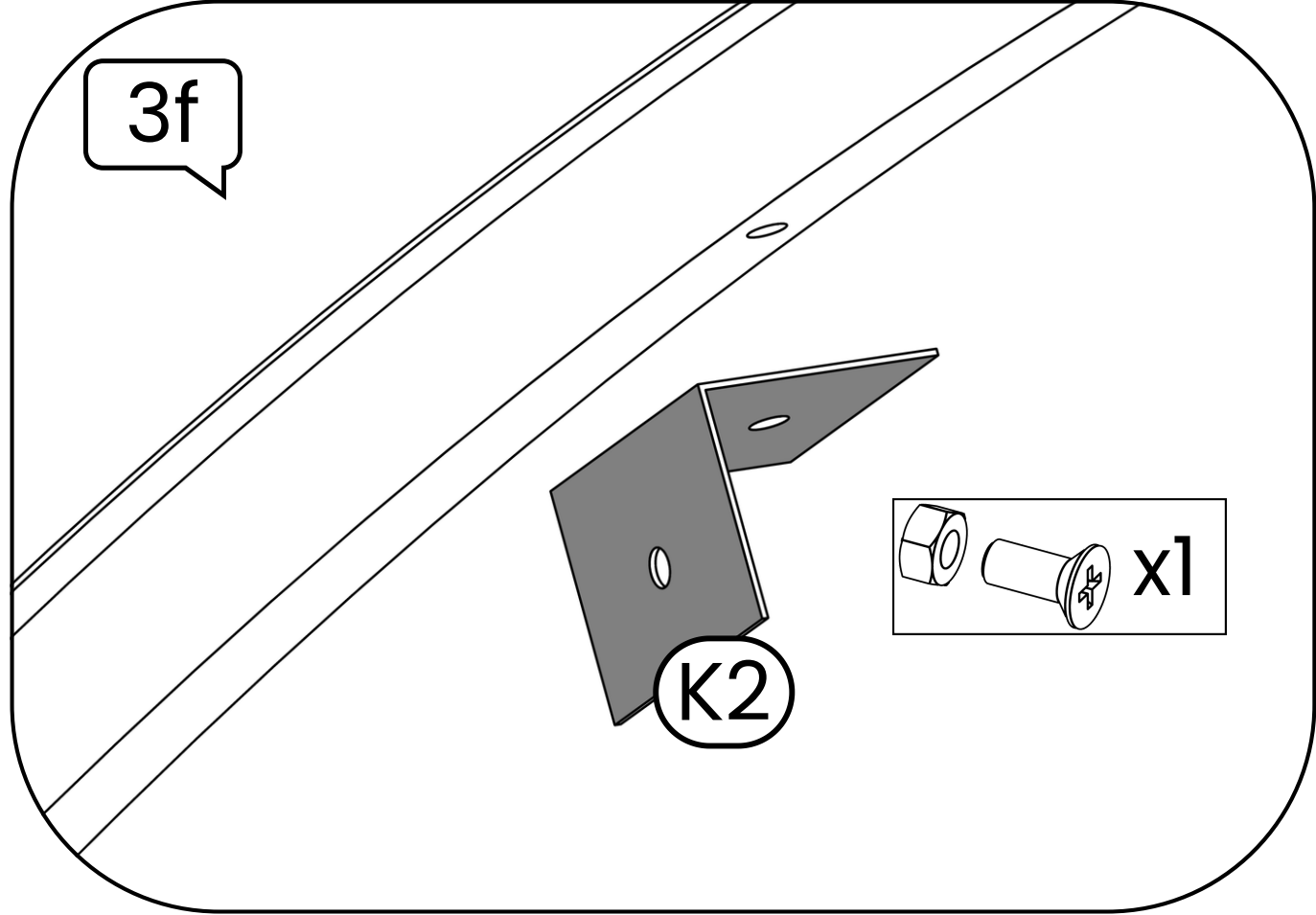
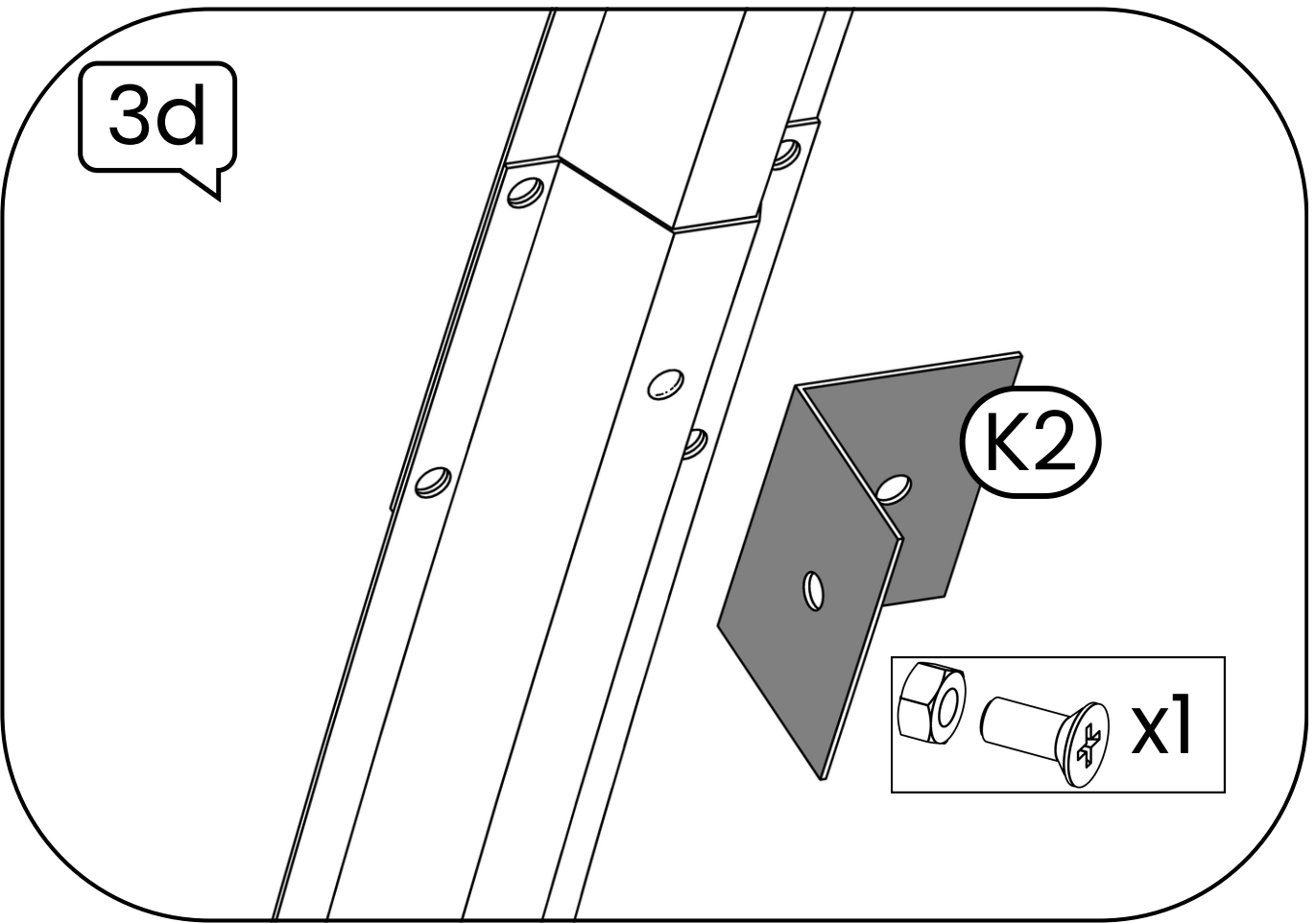
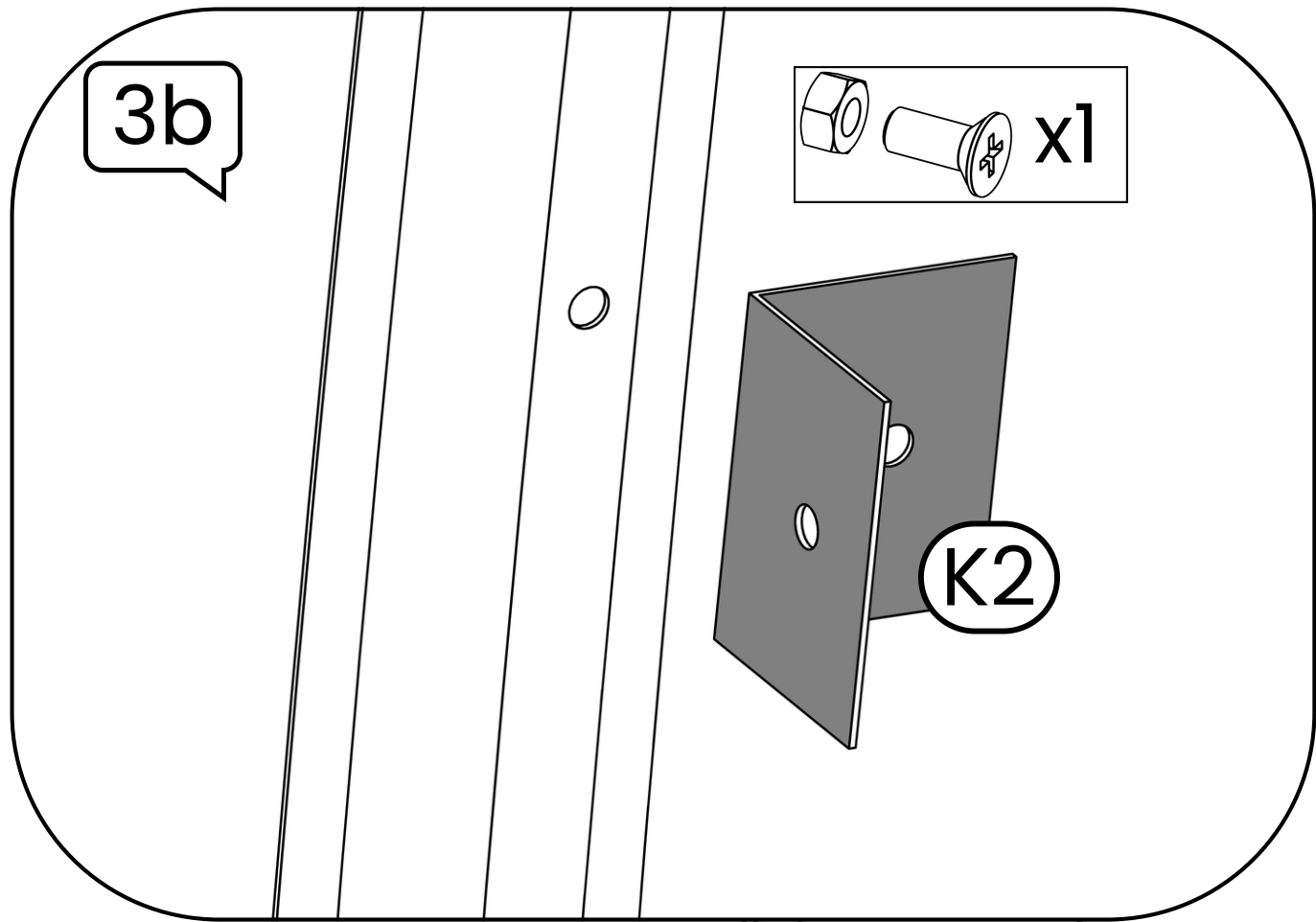
3a  
3b  
3c  
3d  
3e  
3f

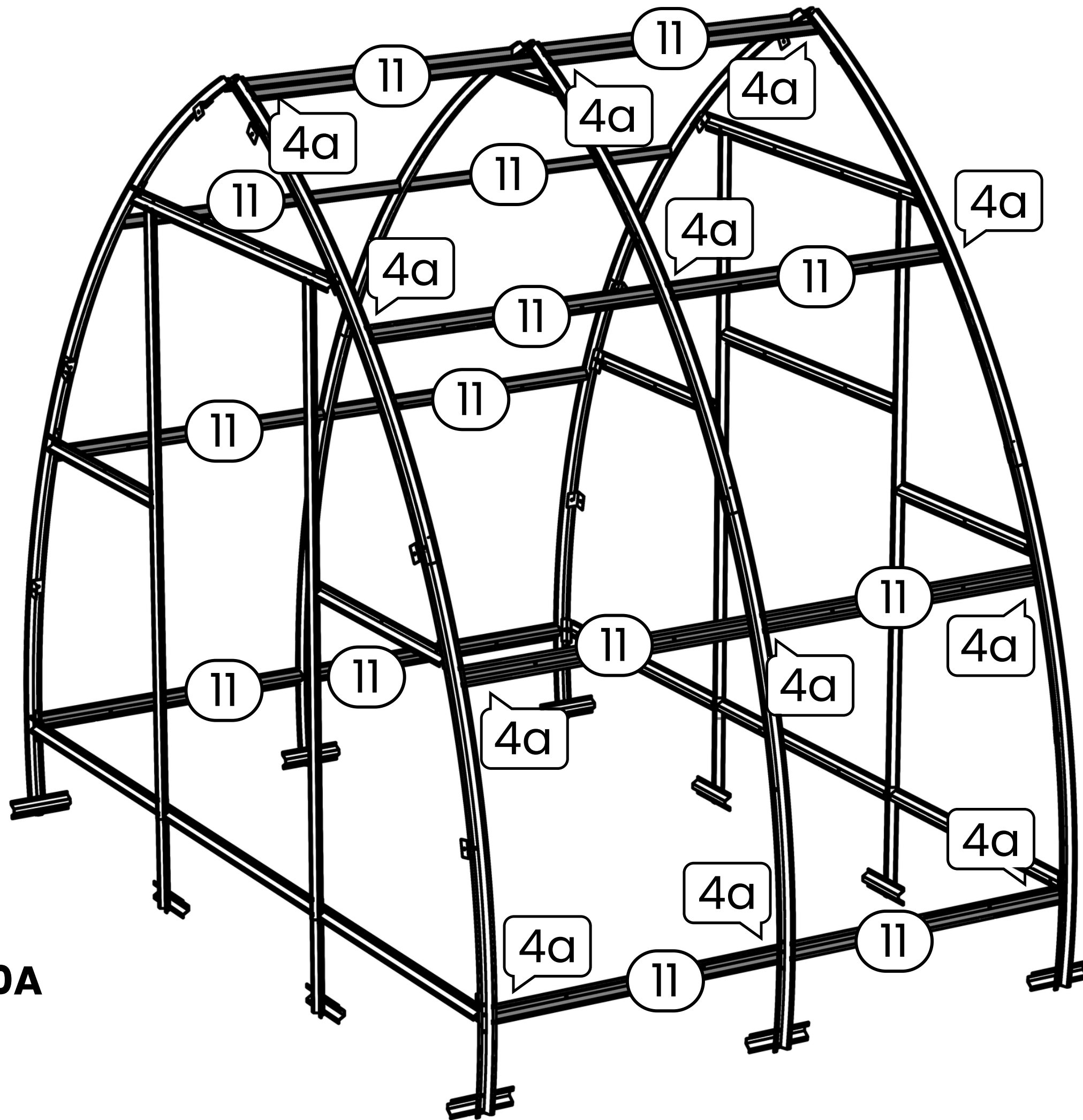




Next page

- 3b
- 3d
- 3f

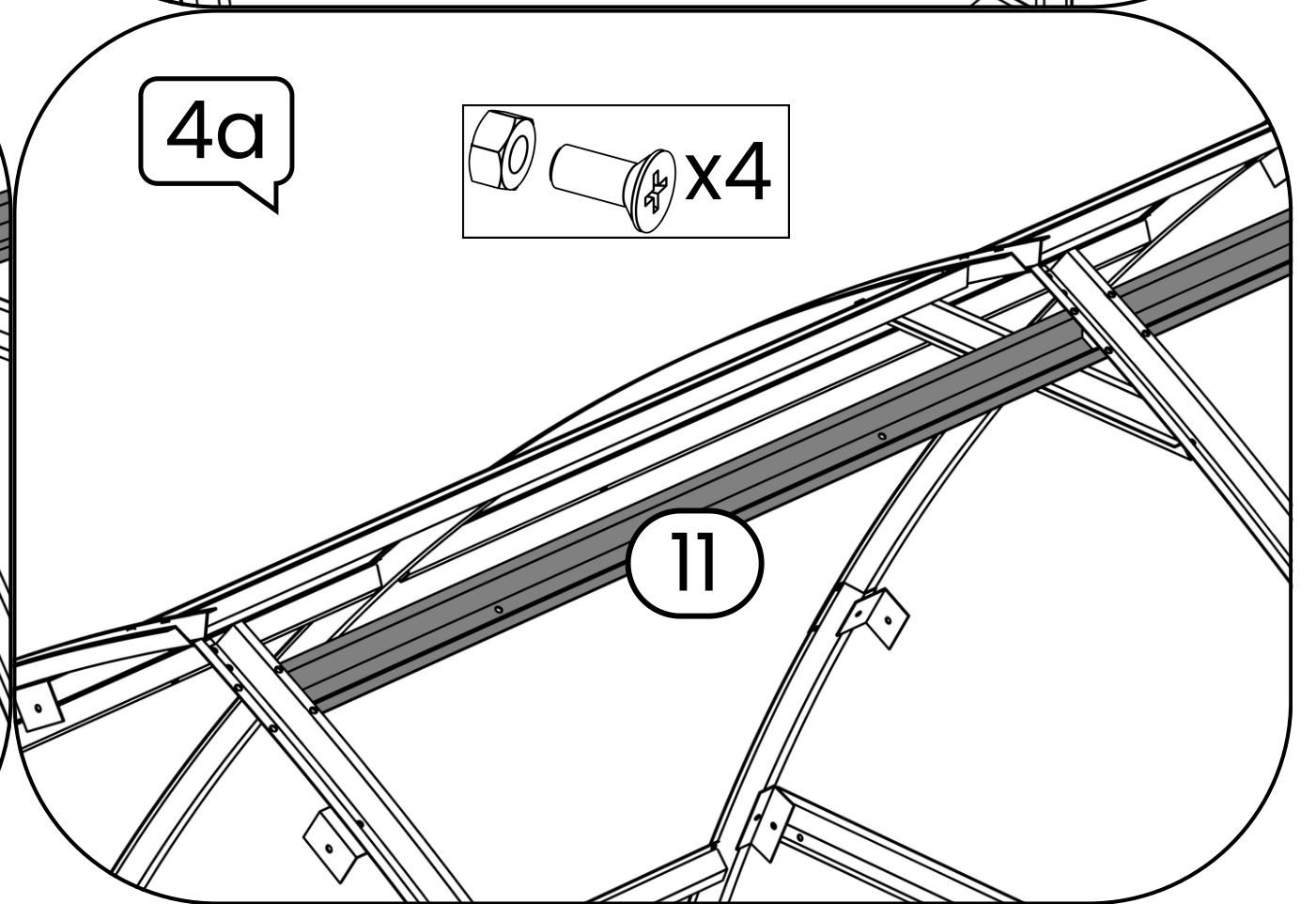
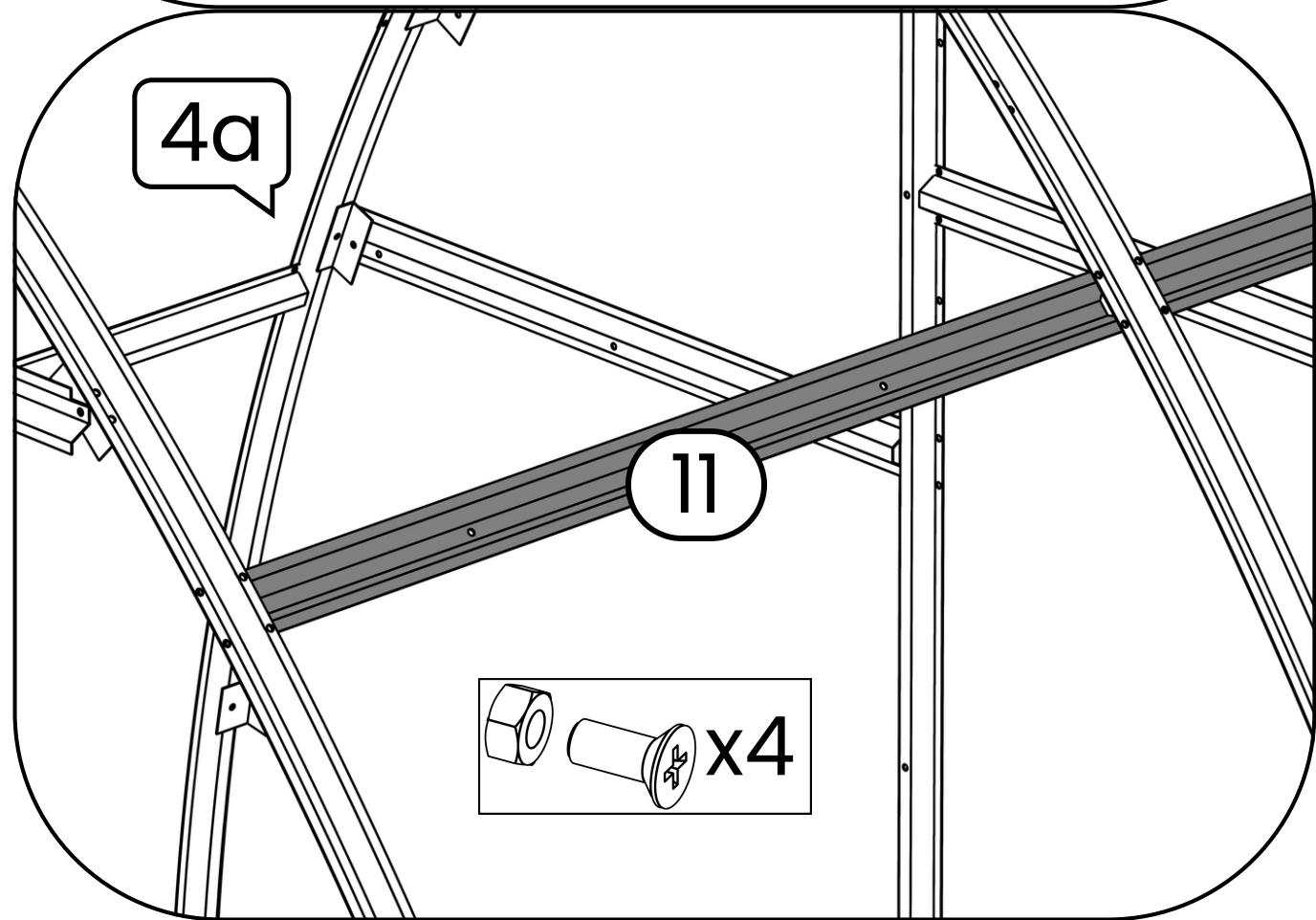
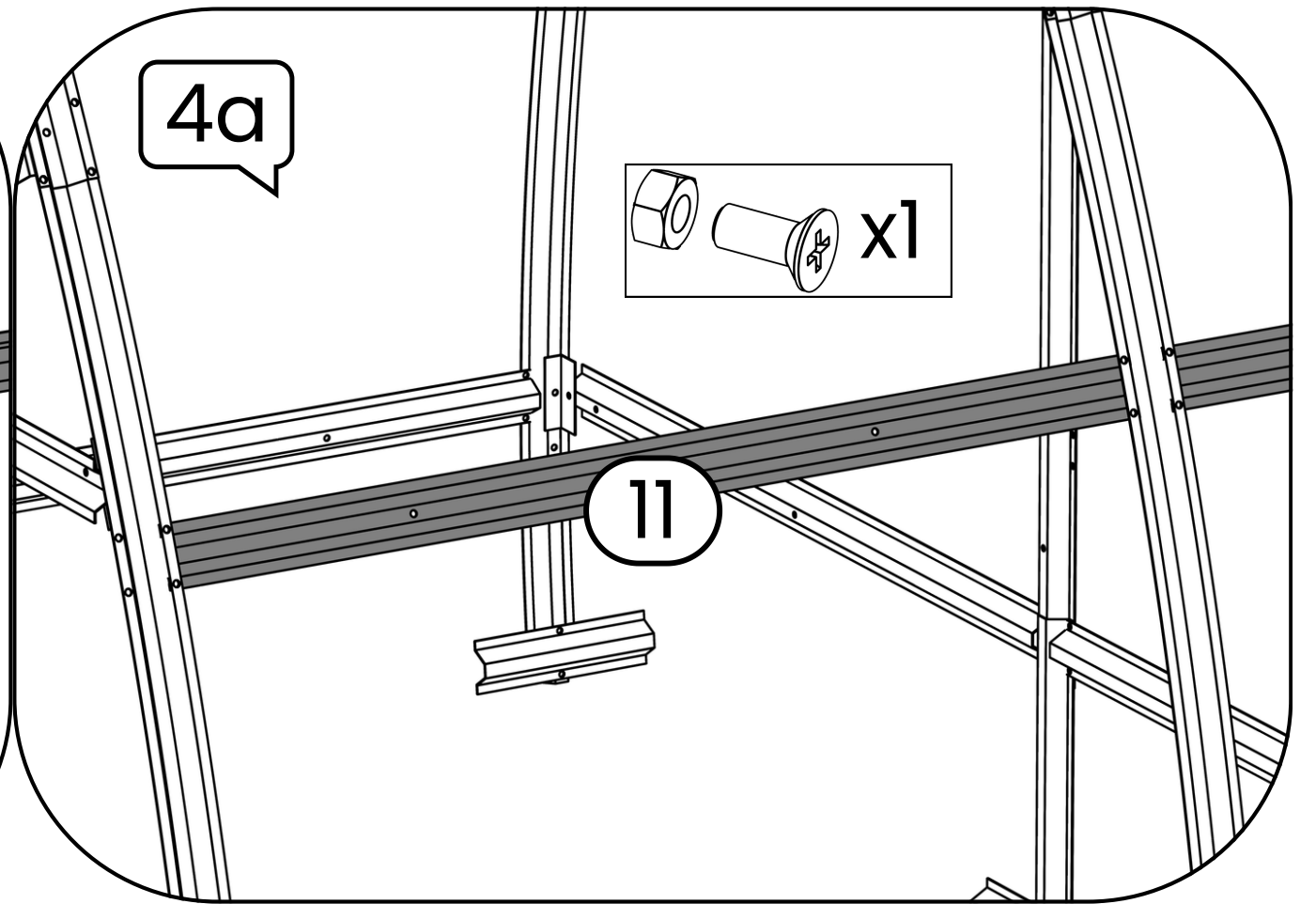
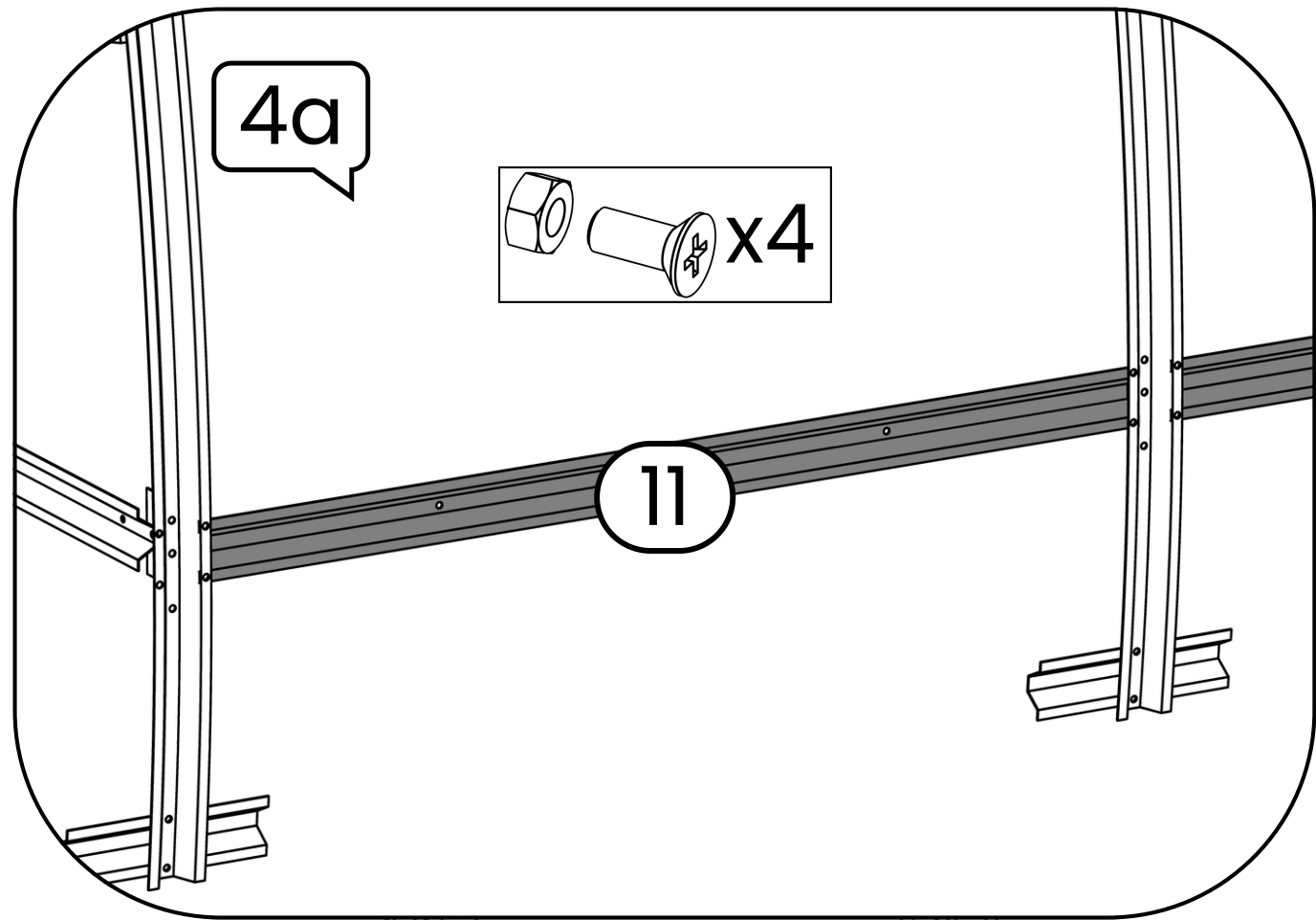




**0A**

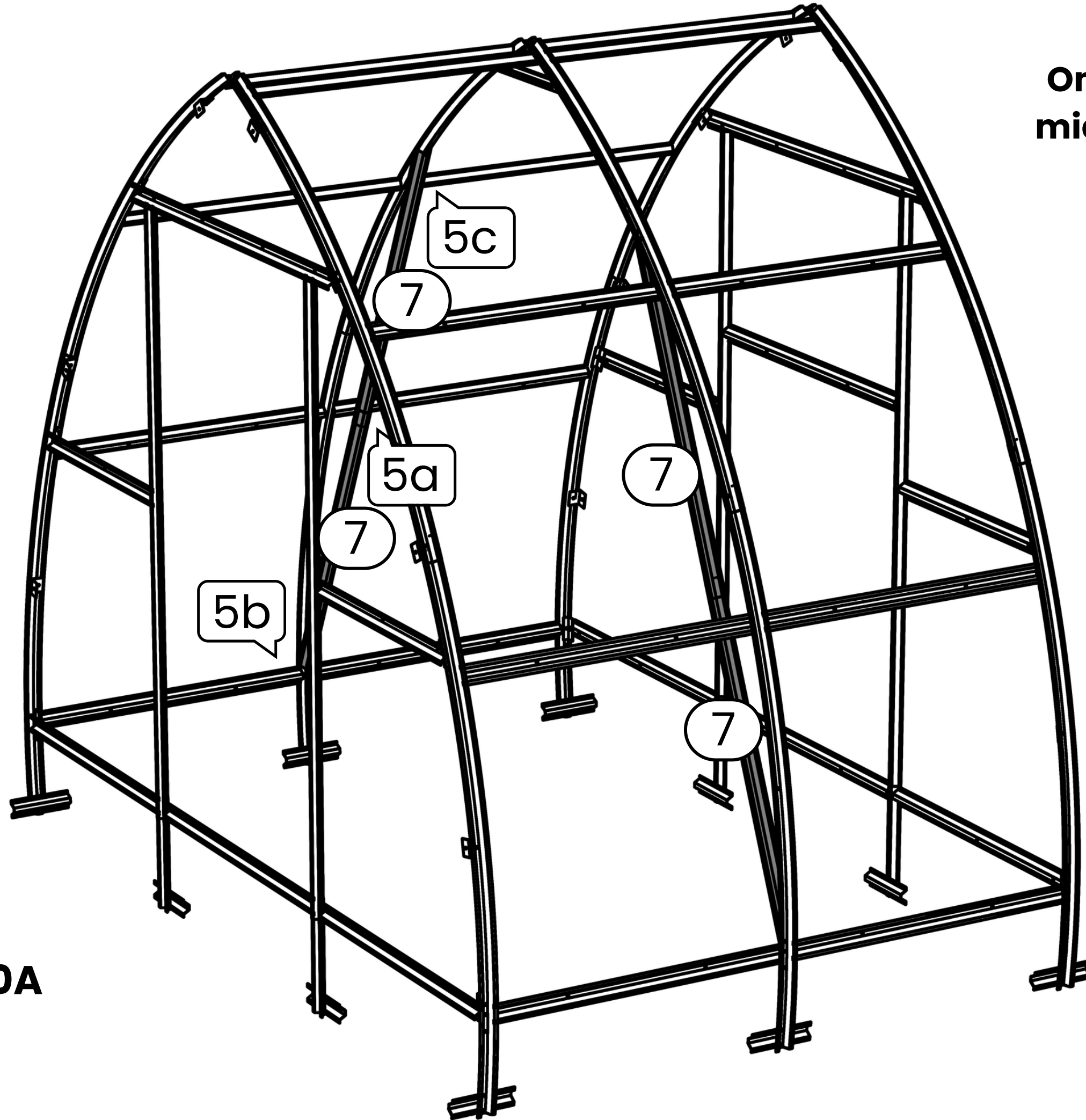
Next page





5

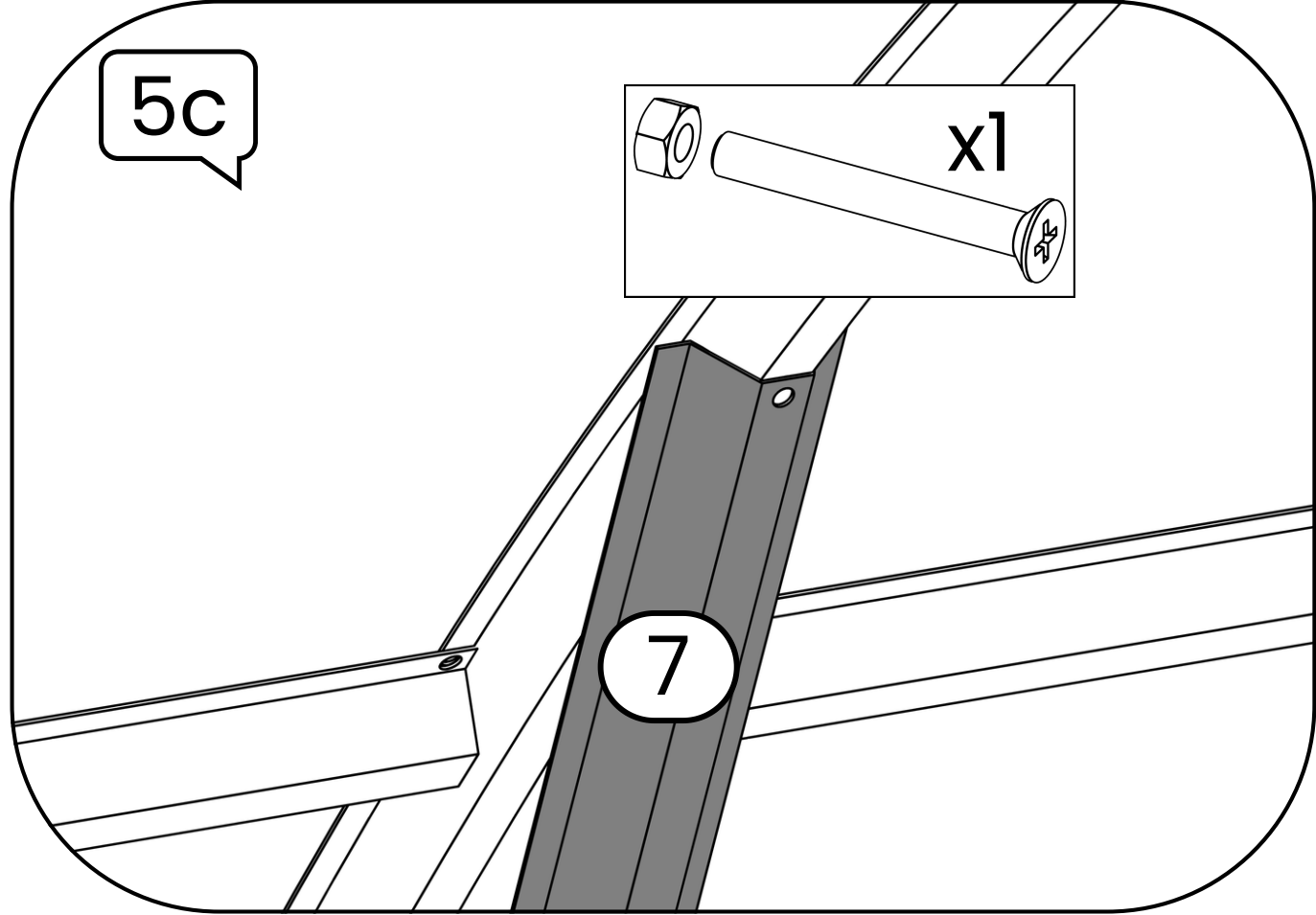
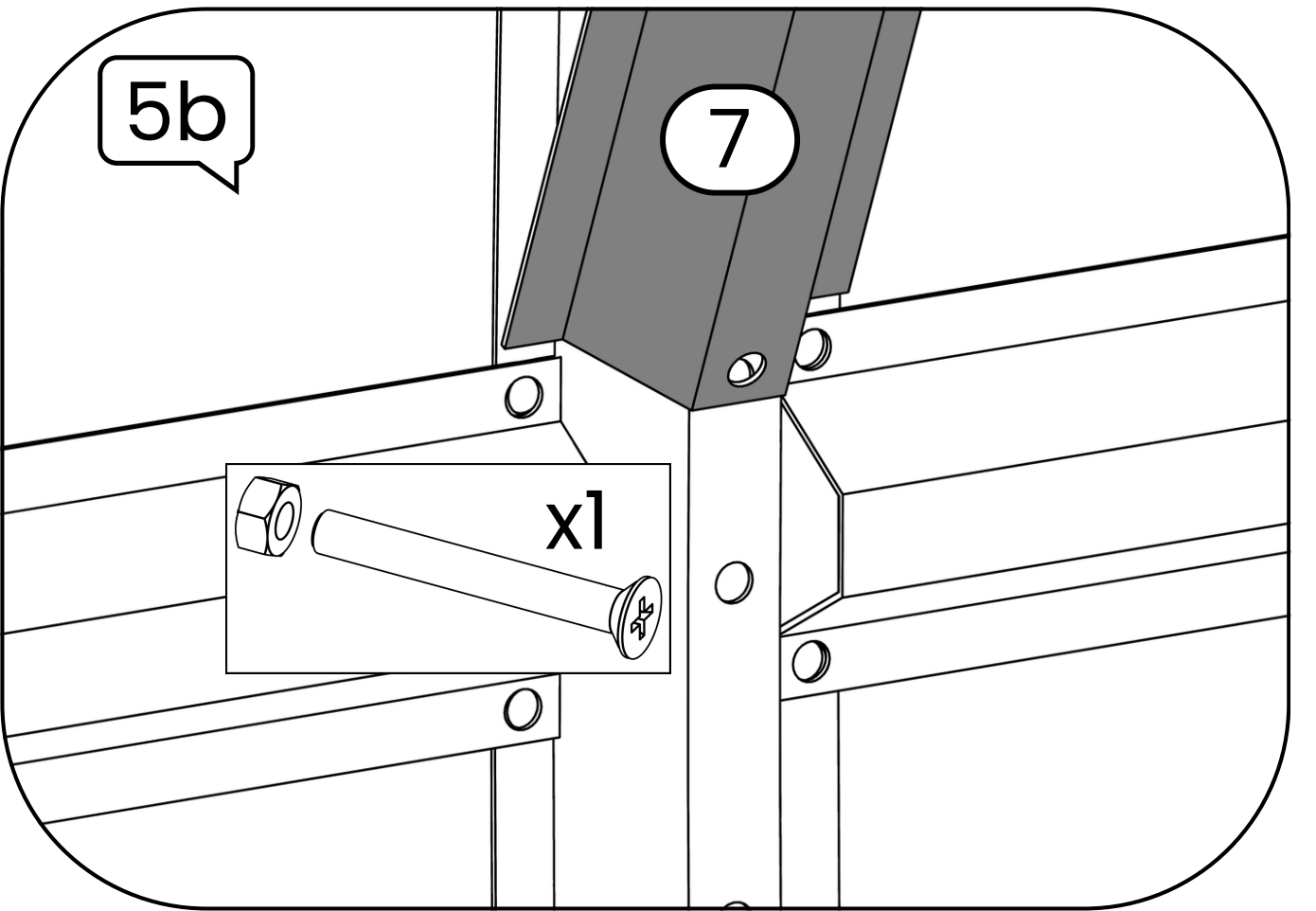
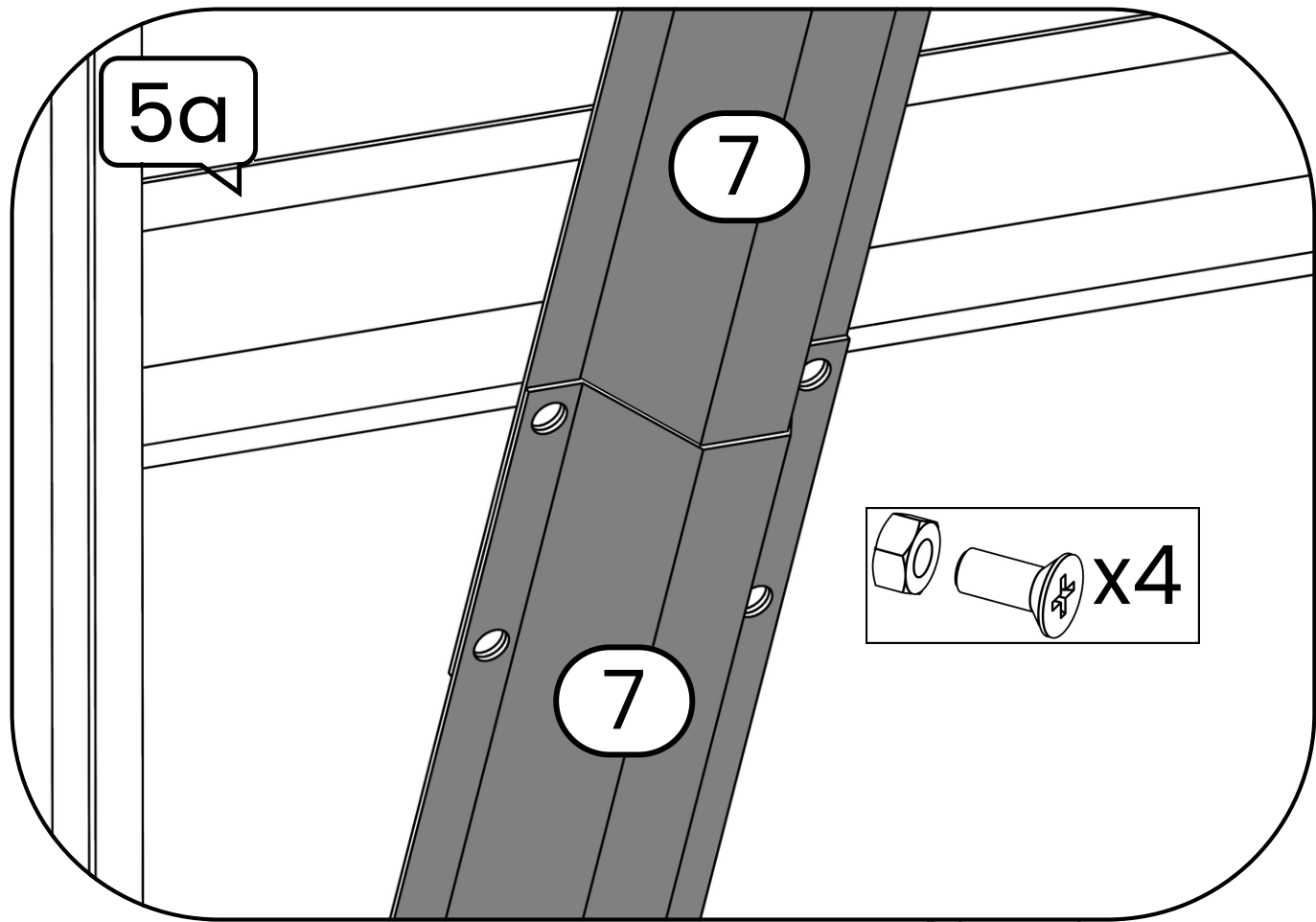
Only for the  
middle arch!

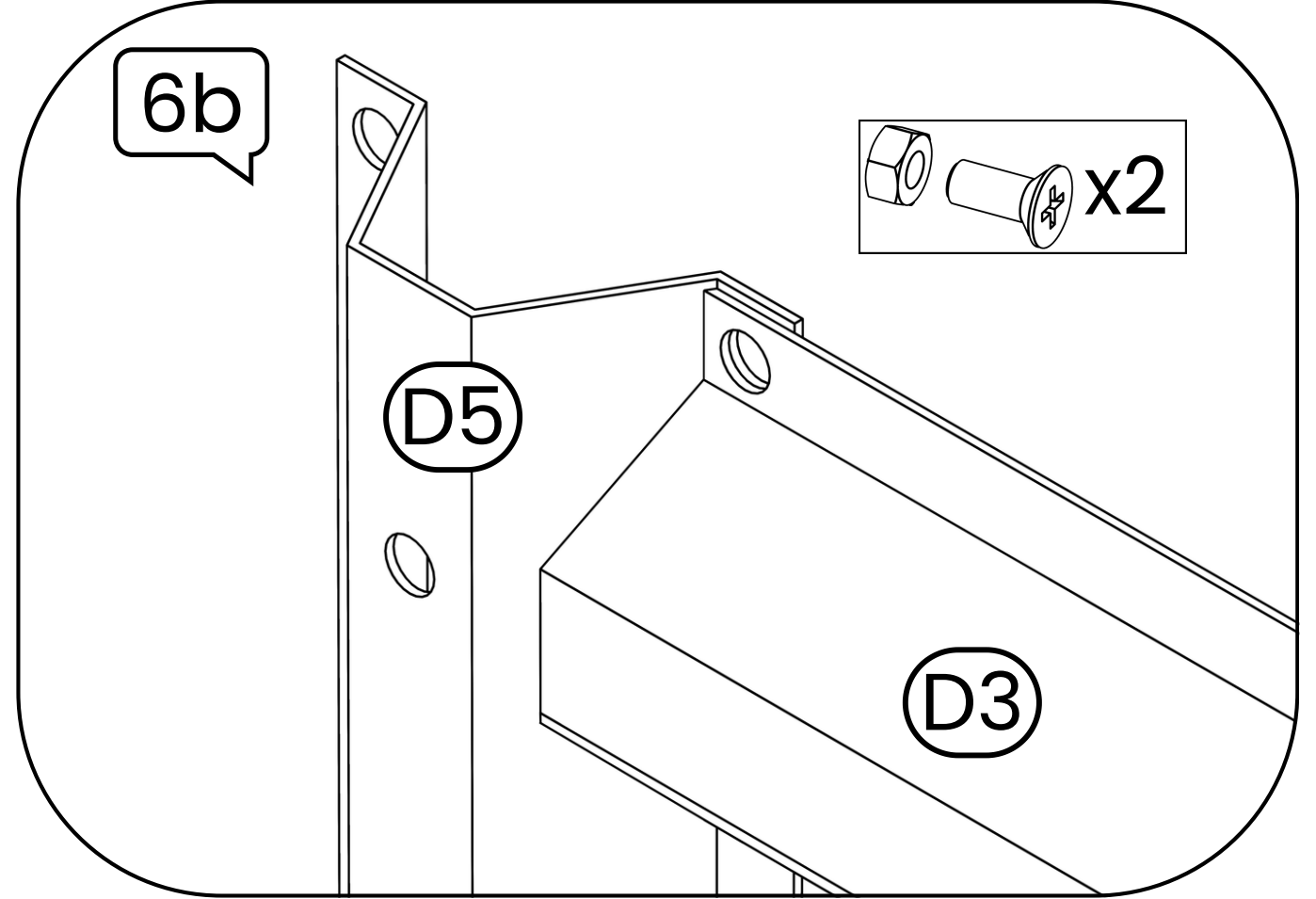
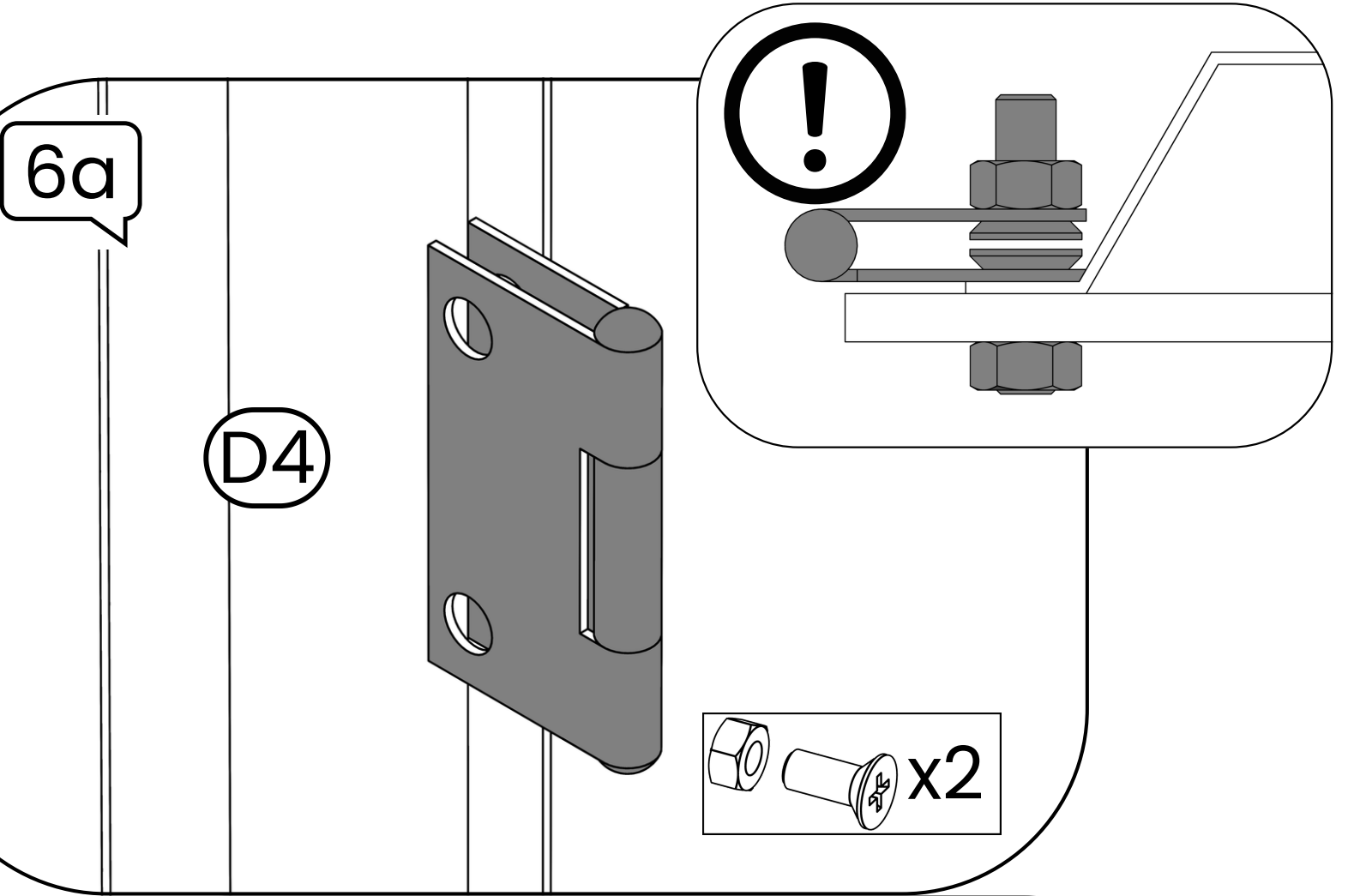
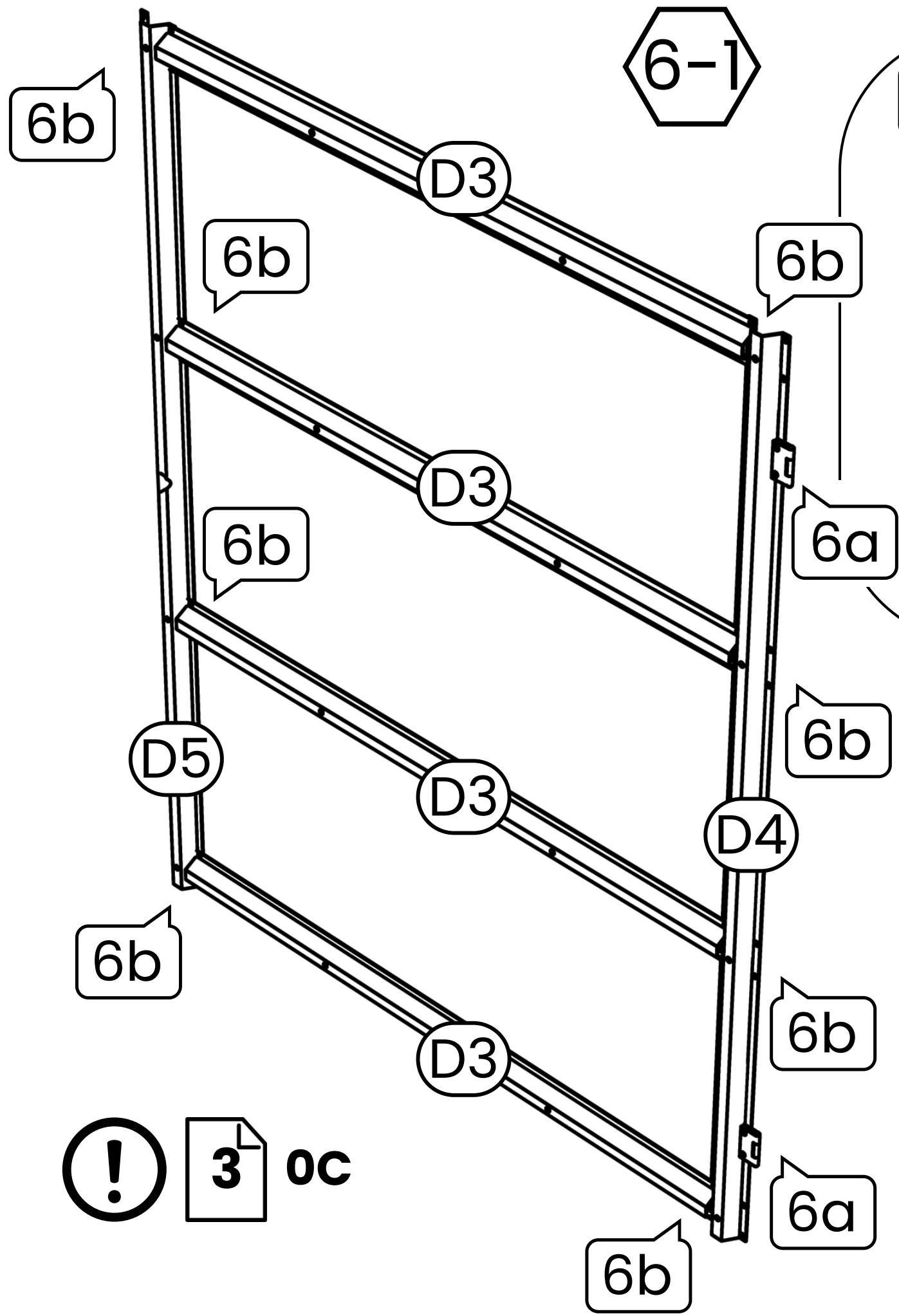


! 3 0A

Next page

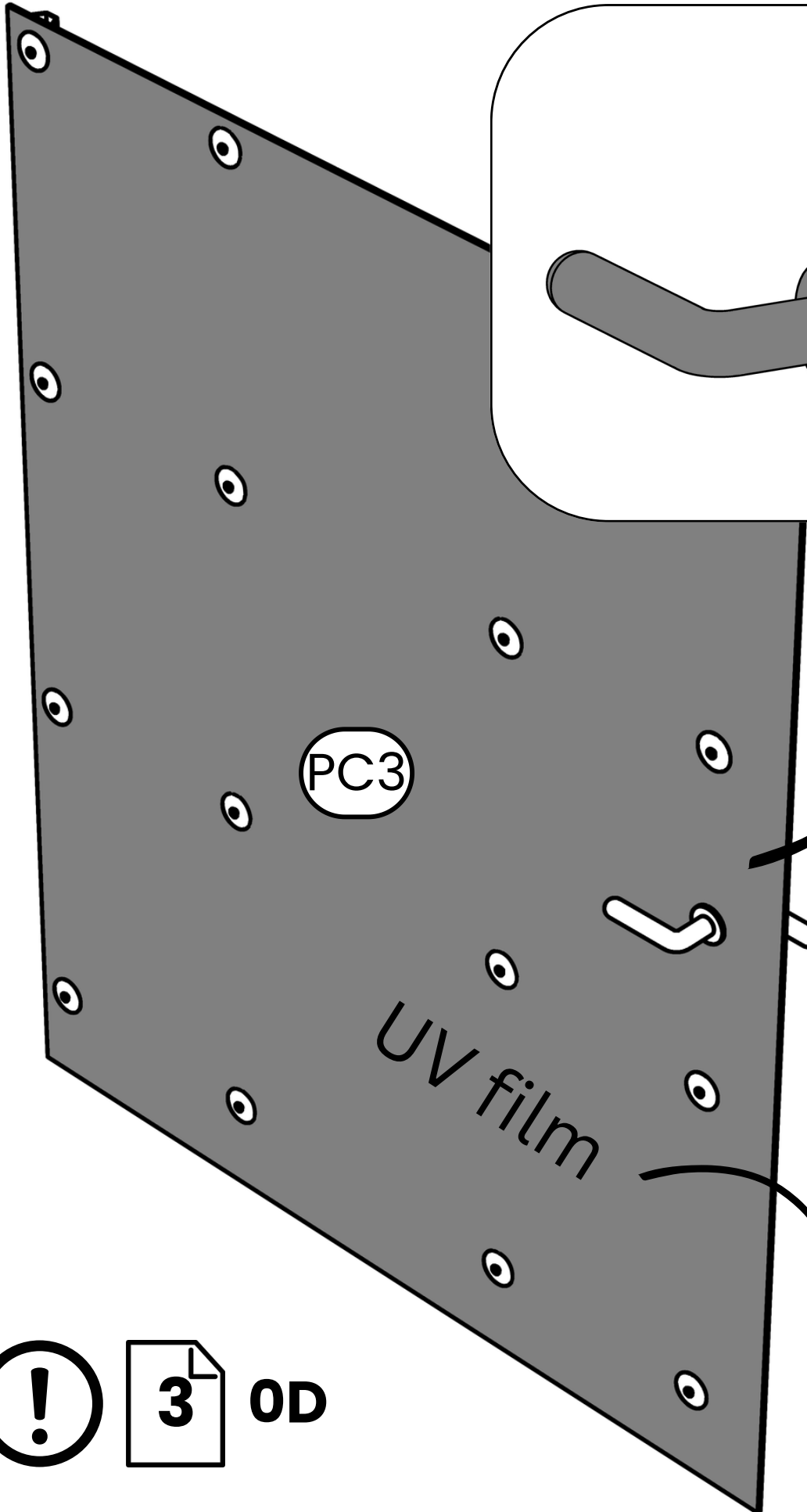
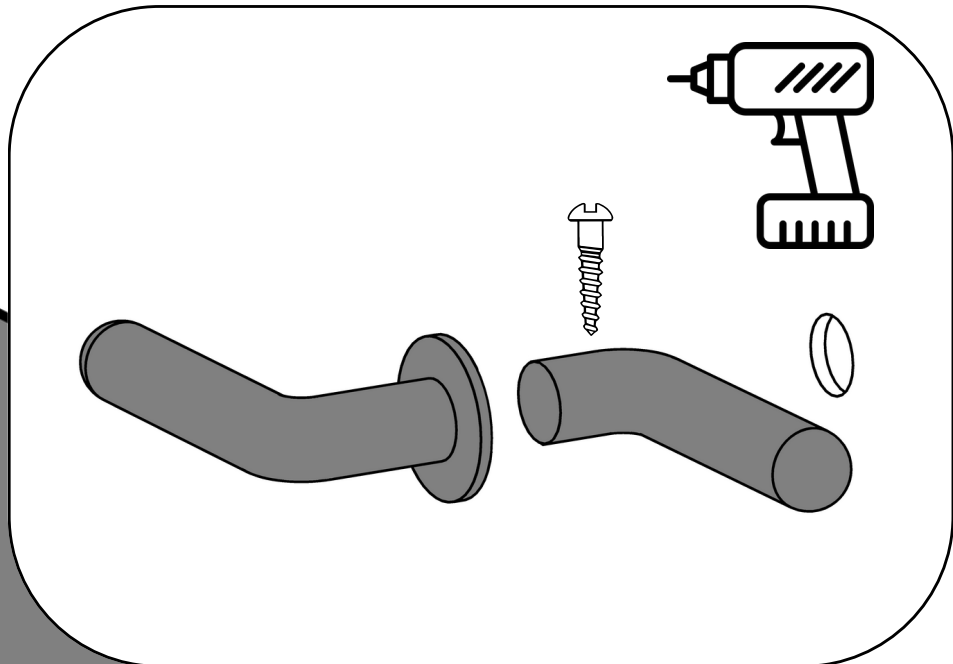
5a  
5b  
5c





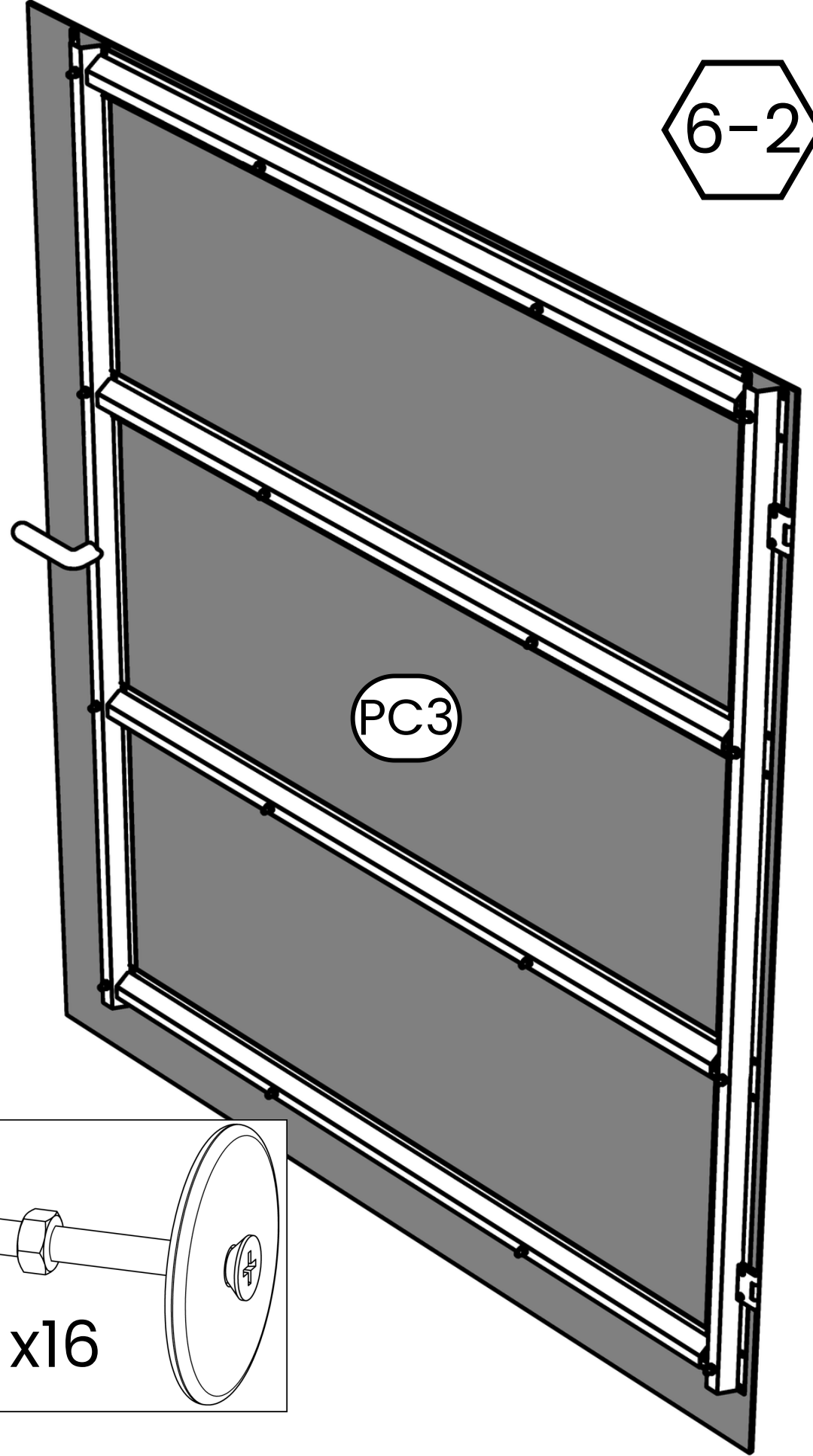


6-2



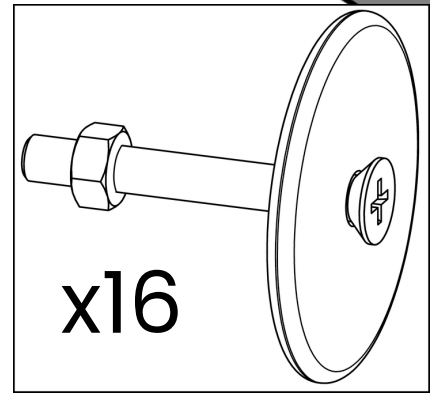
UV film

PC3



PC3

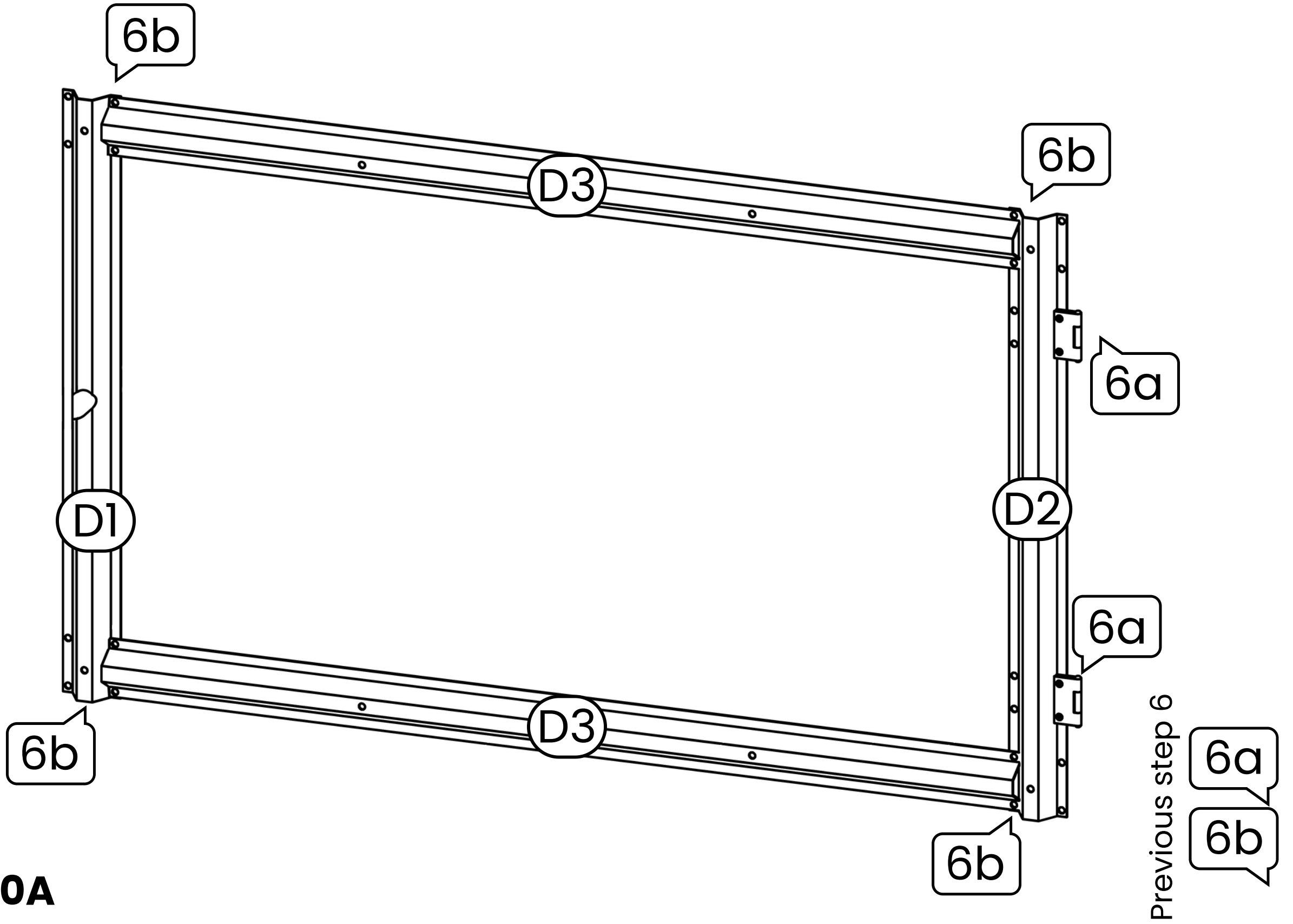
! 3 OD



x16



7-1



3

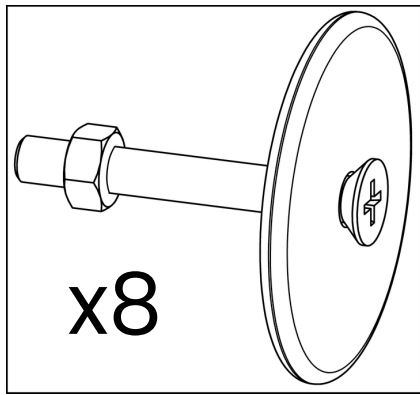
0A

7-2

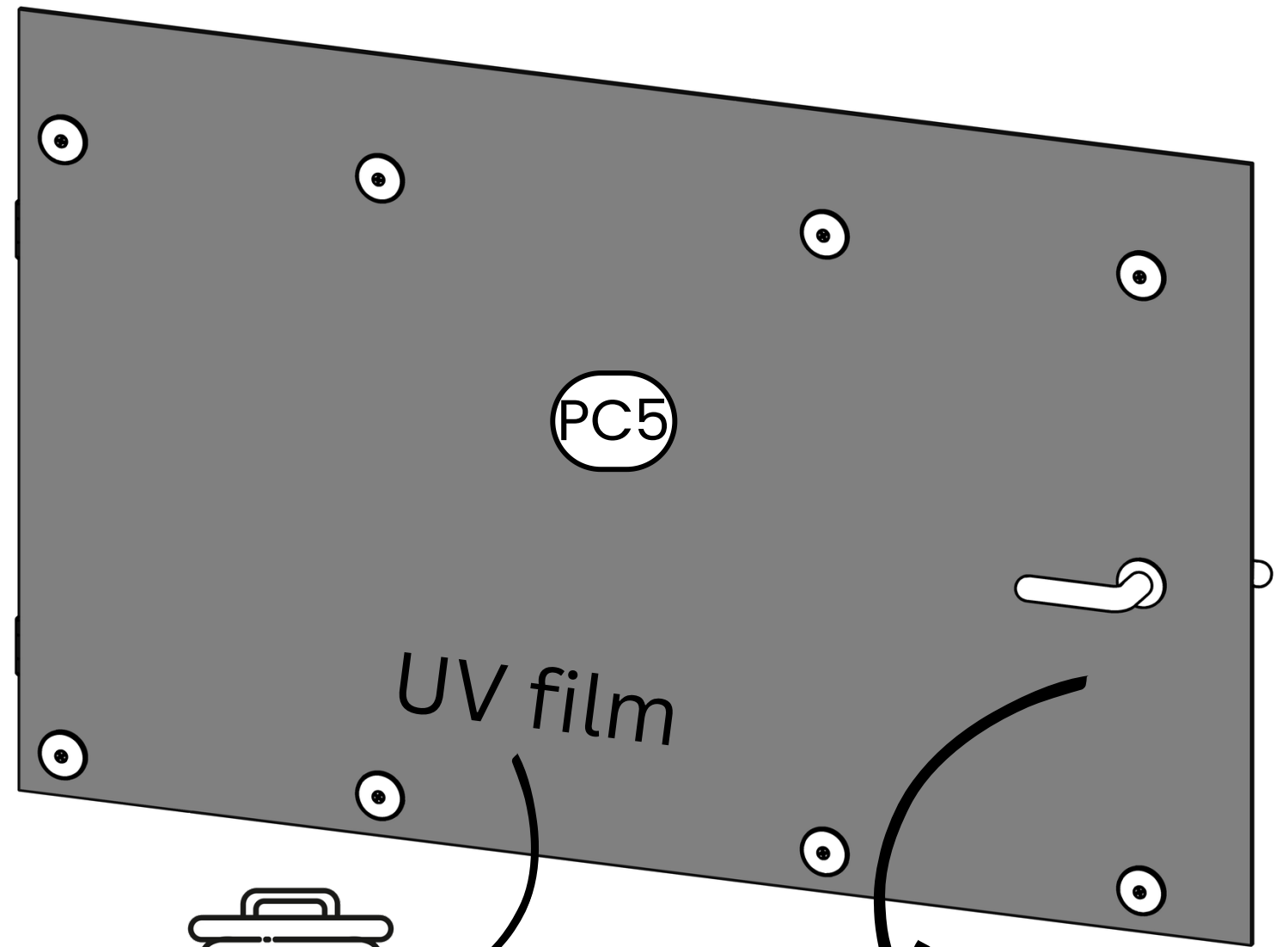


3

OD

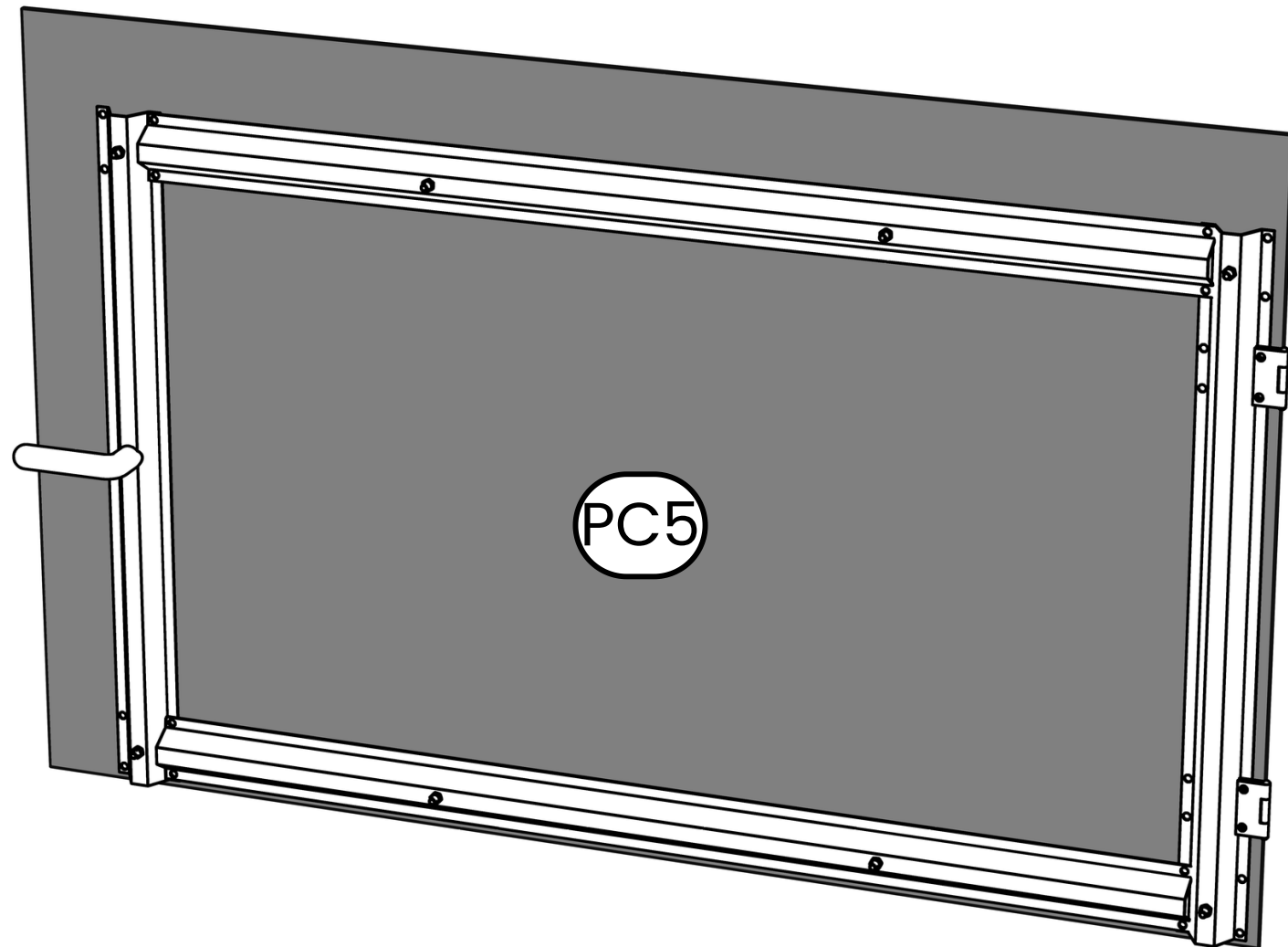
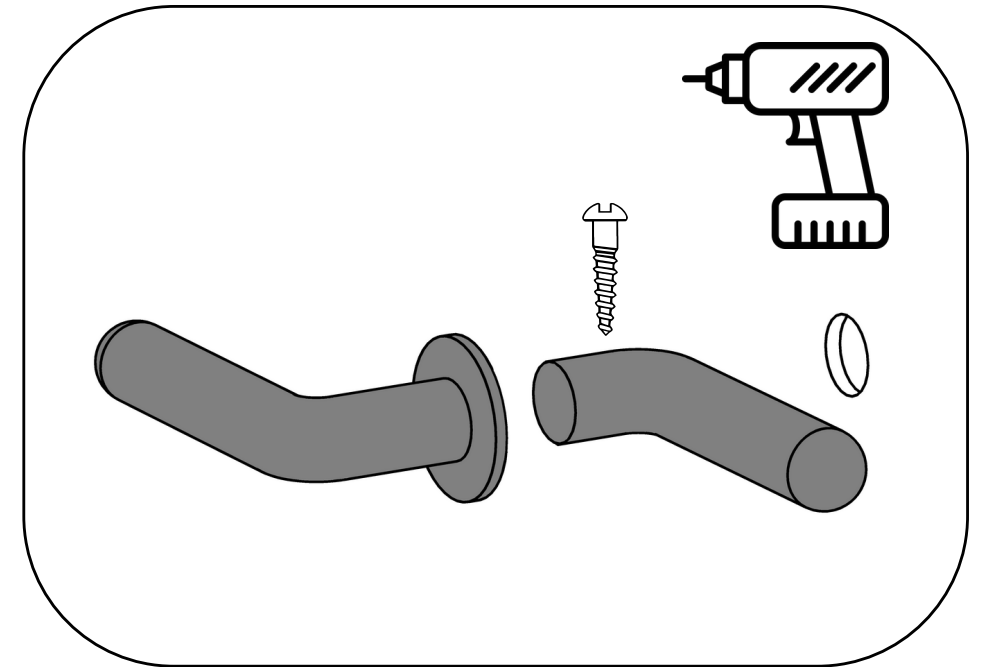


x8



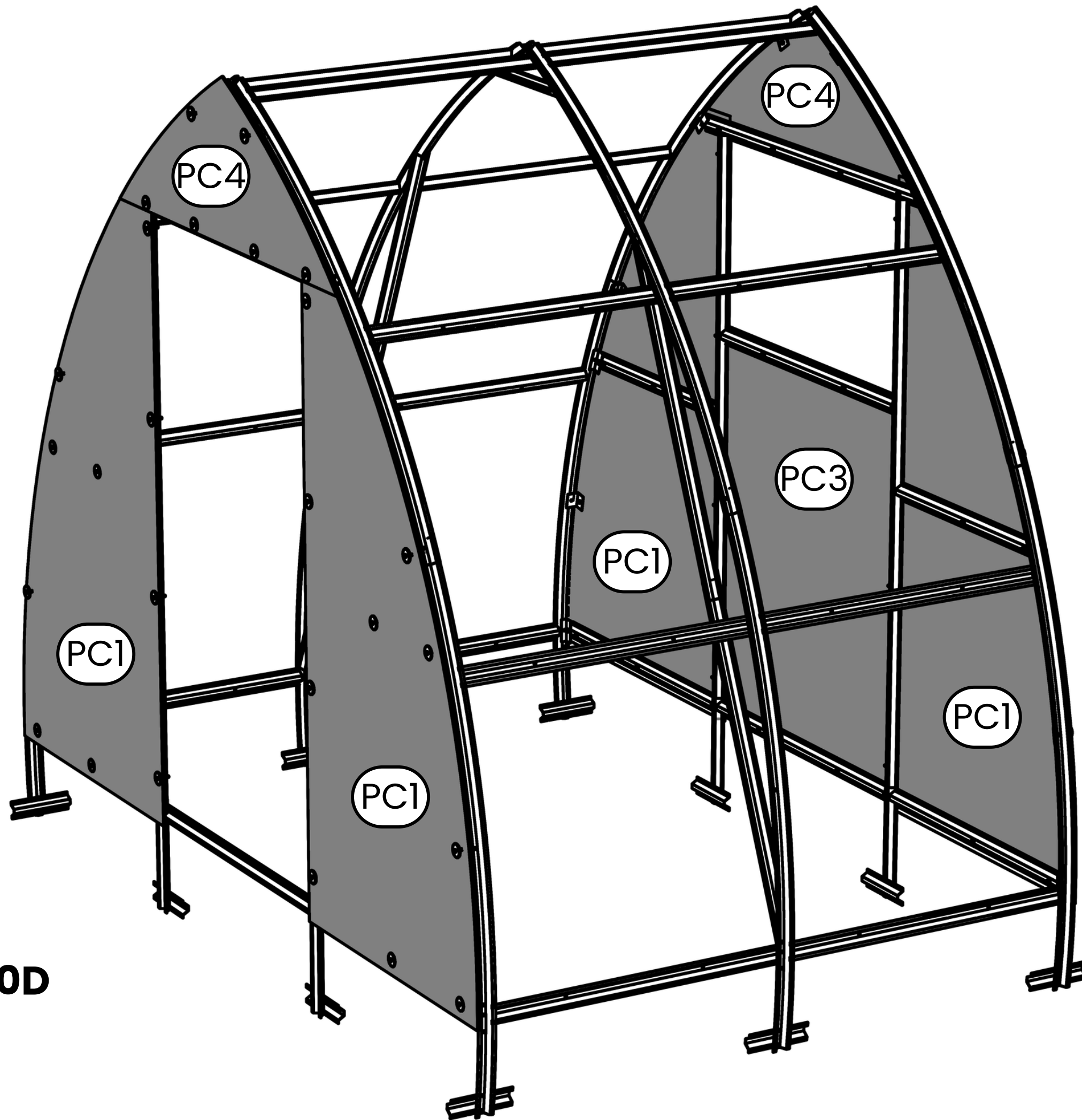
PC5

UV film



PC5

8



3

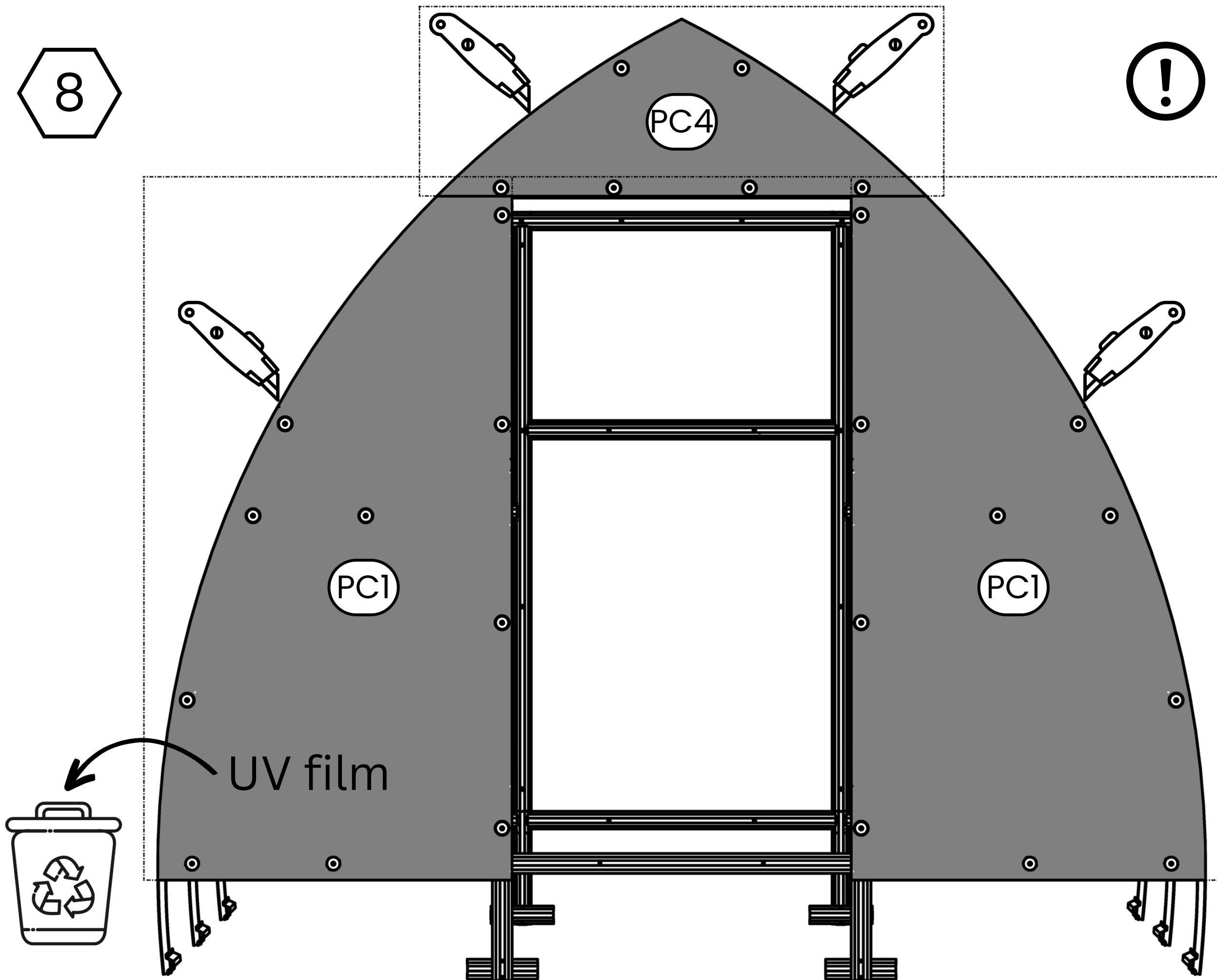
OD

8



3

OD



UV film

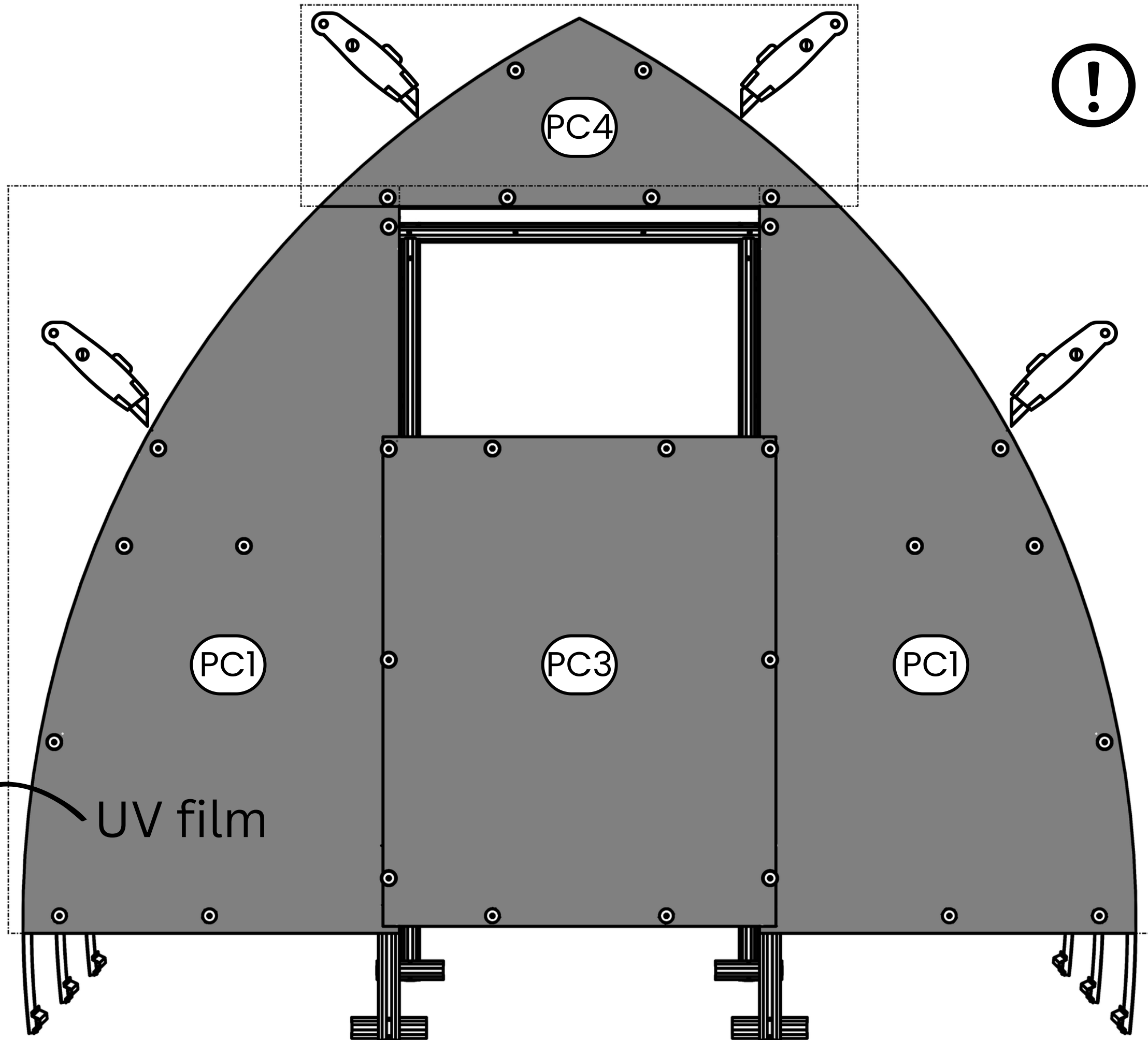


8



3

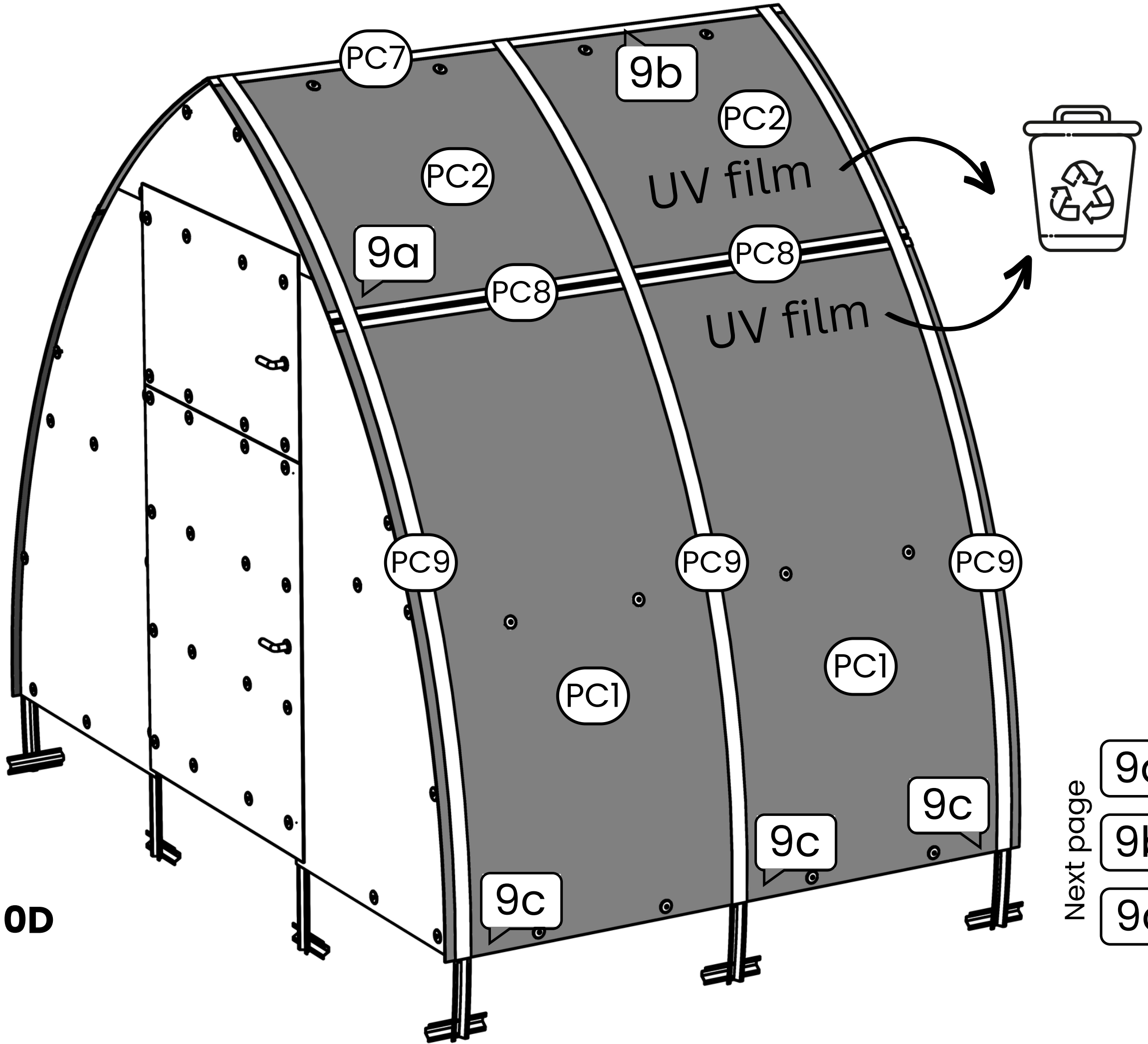
OD



UV film



9



3

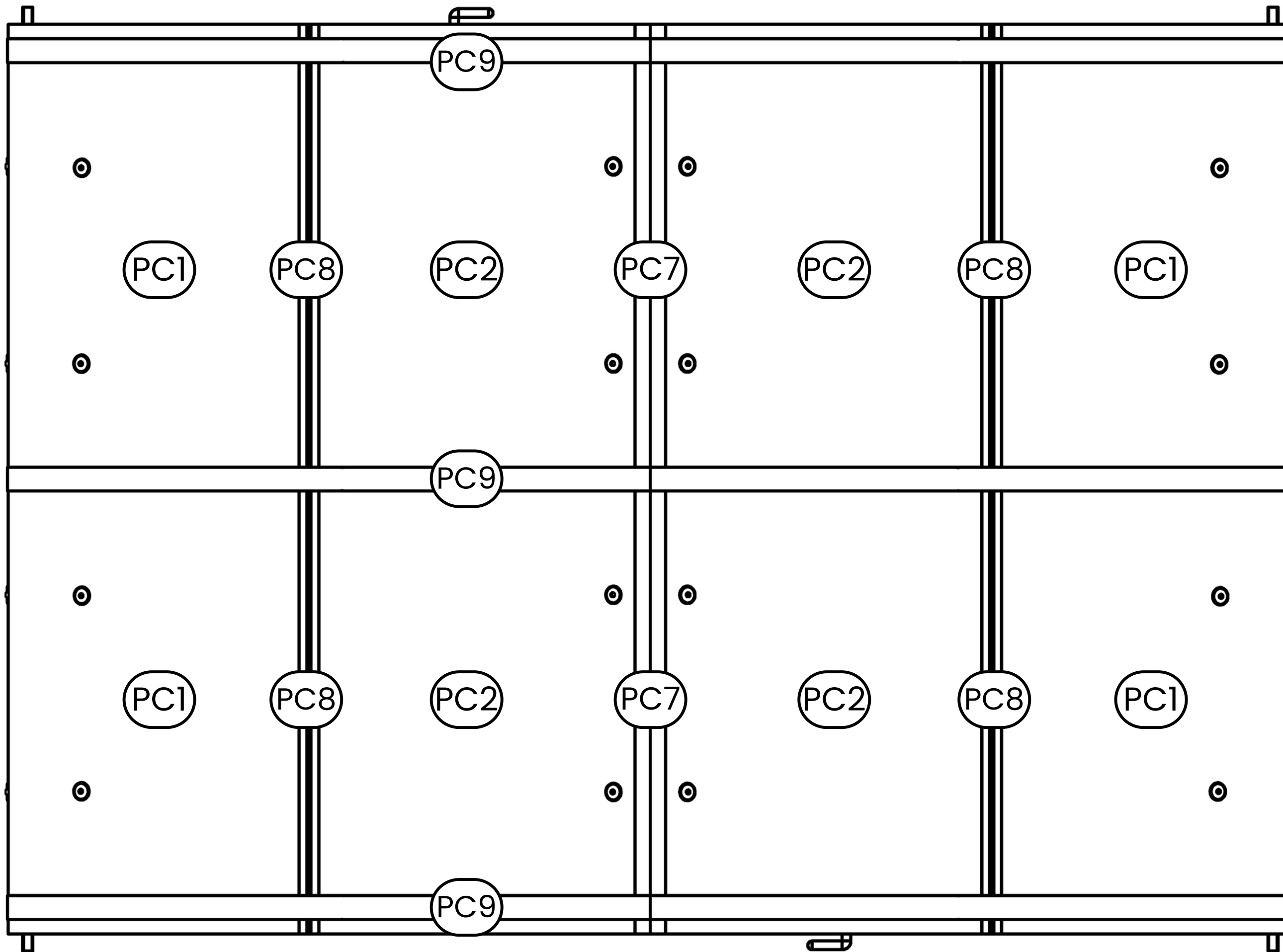
OD

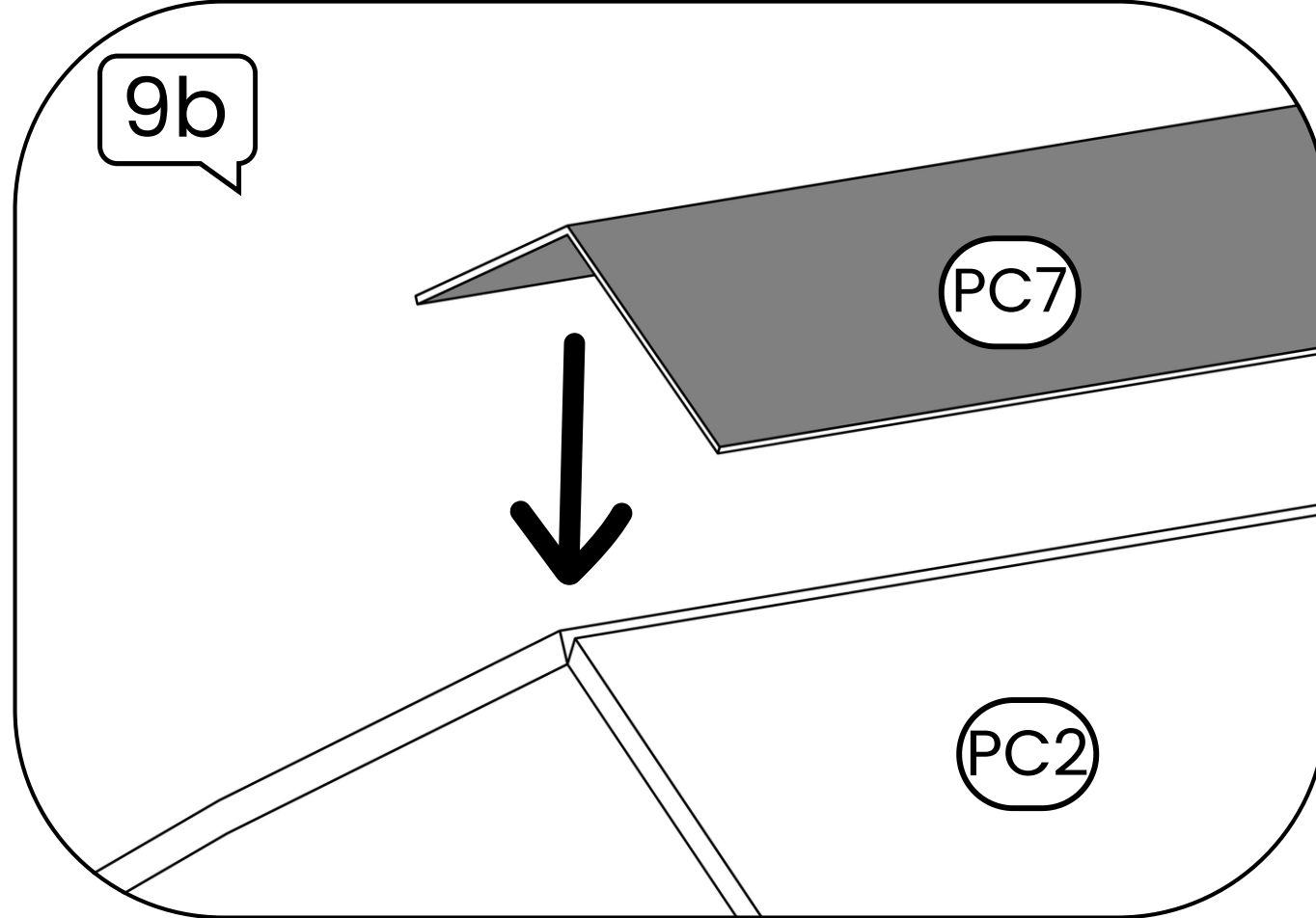
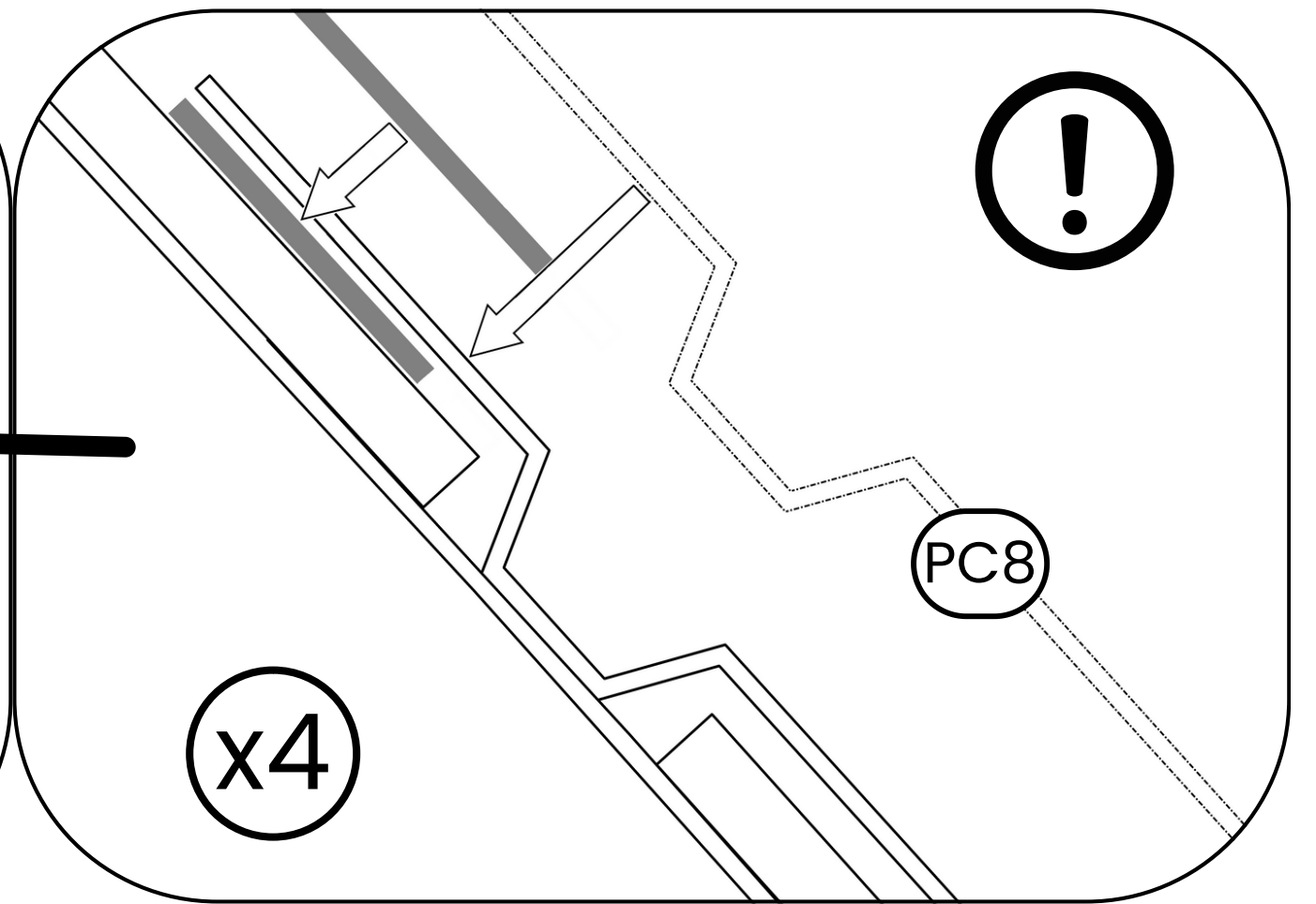
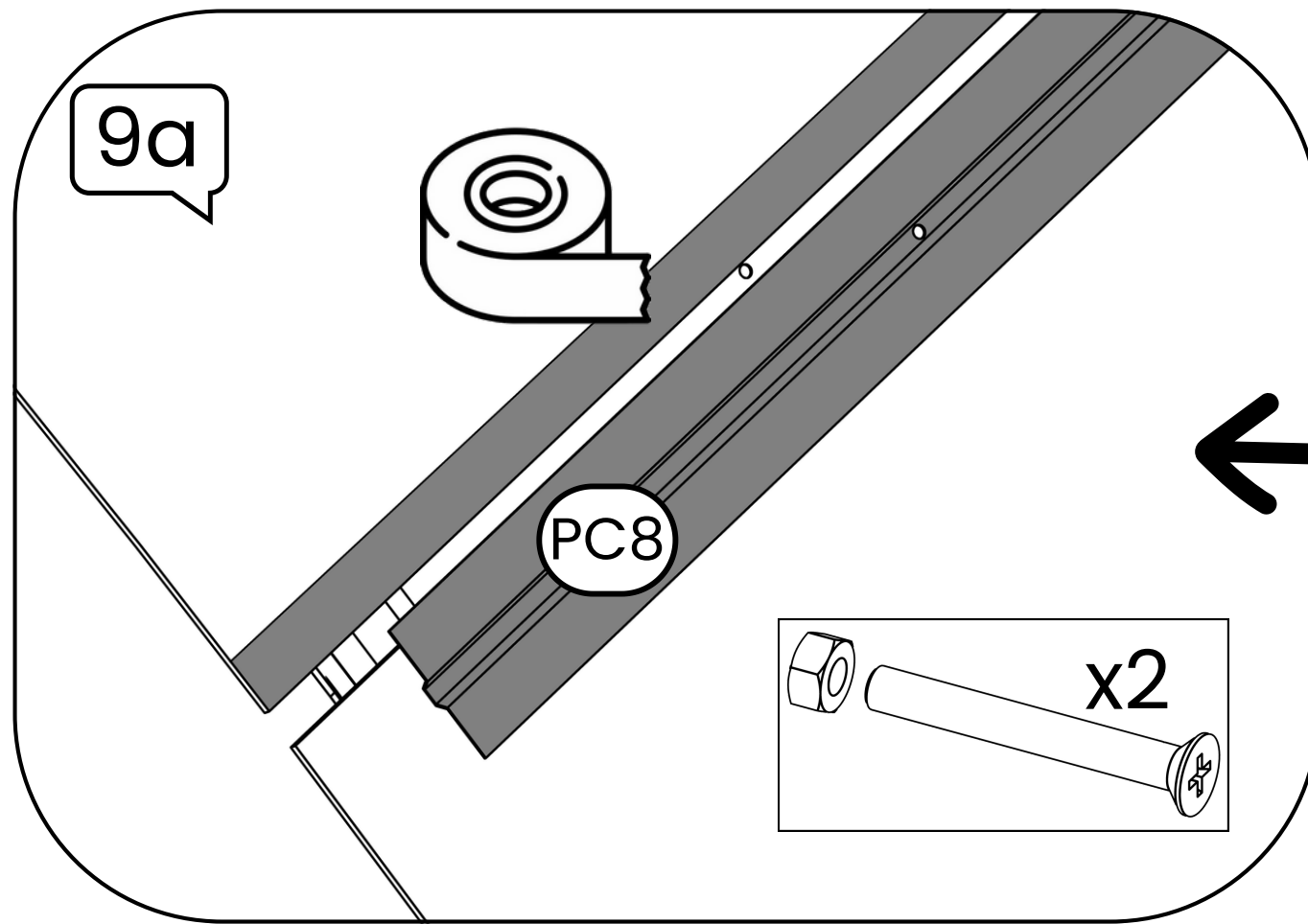
Next page

9a

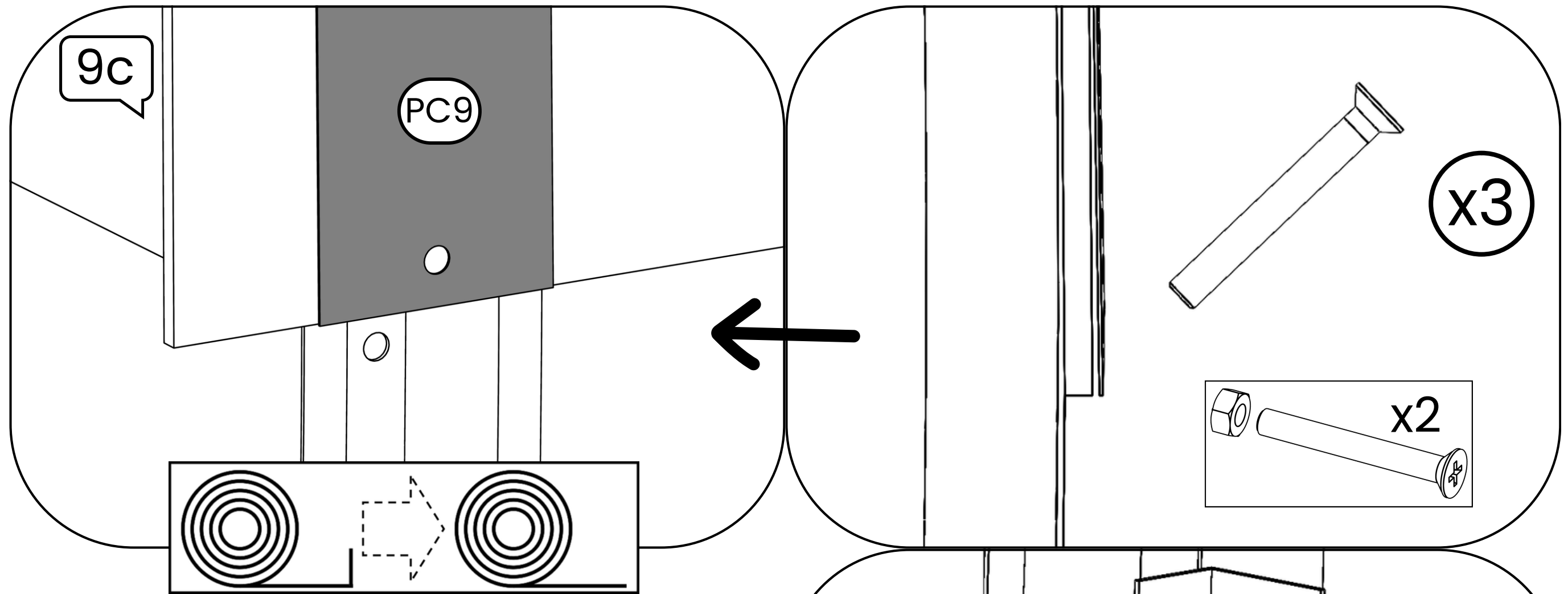
9b

9c



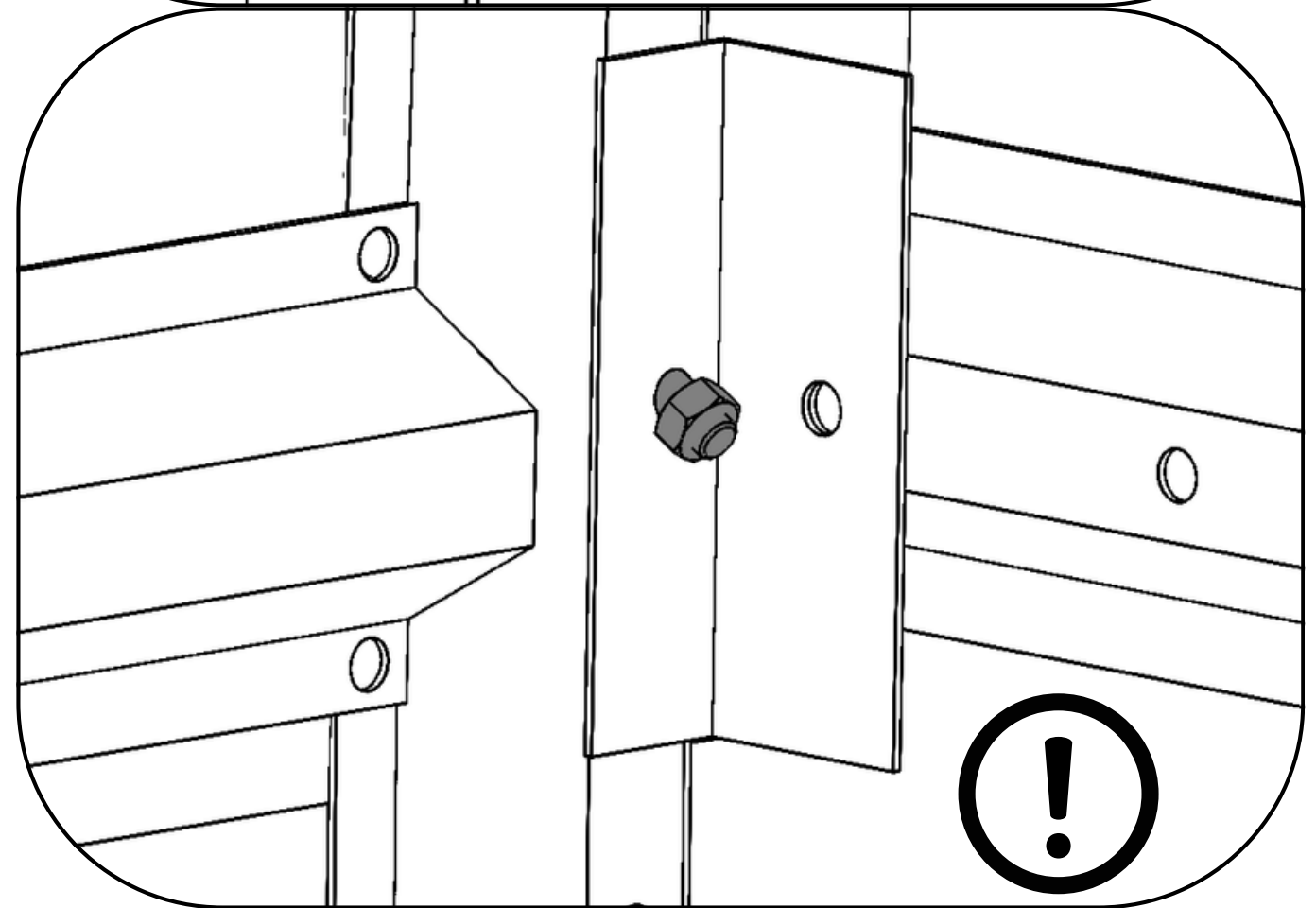




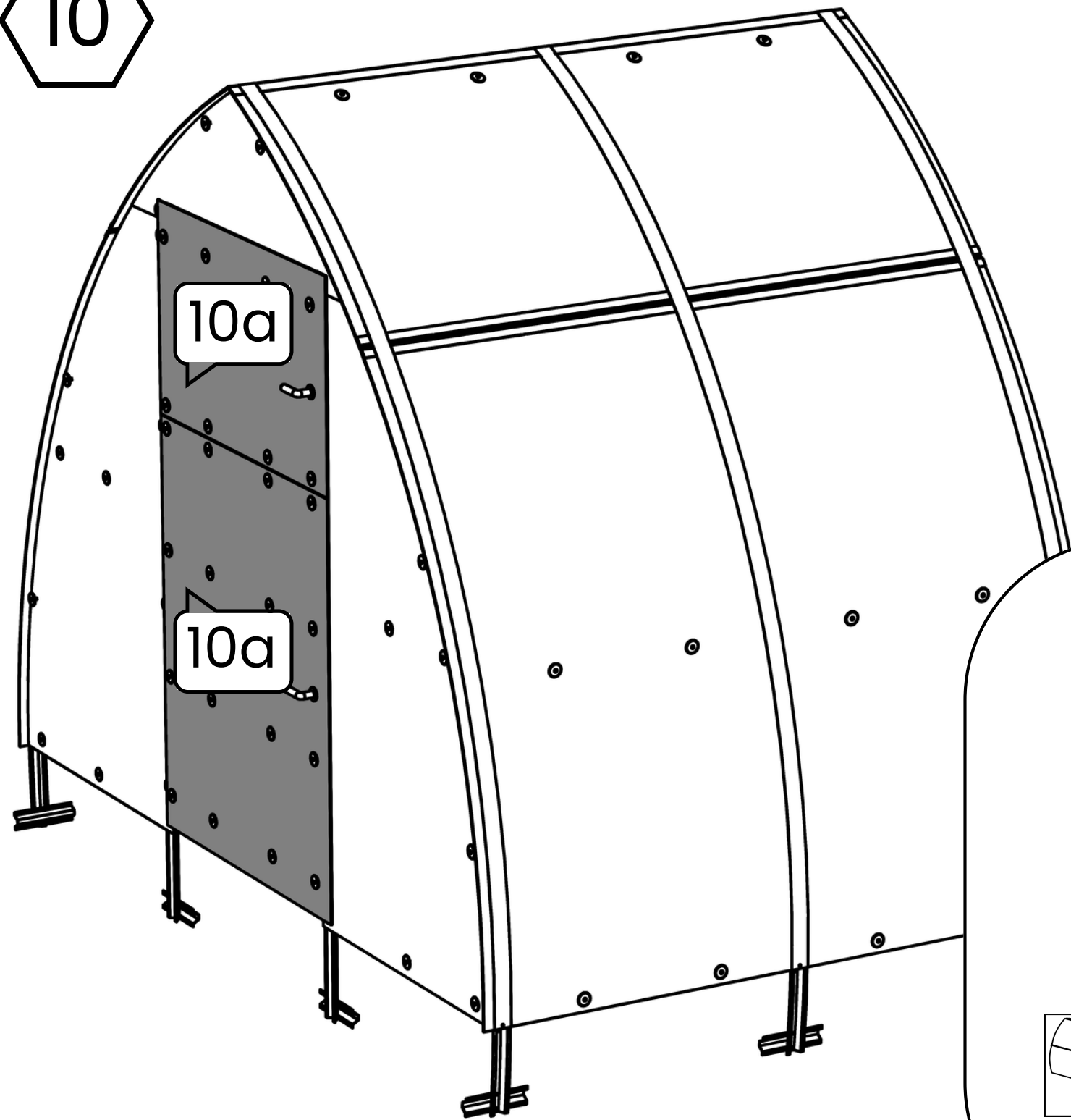


**Instruction:**

- a. First, unscrew the **M5x12** screws on both sides of the greenhouse.
- b. Unroll the band **PC9** and unfold the end of the band with pliers.
- c. Place the band **PC9** on the greenhouse.
- d. Secure one end of the band with an **M5x40** screw, but do not tighten it completely.
- e. Tighten the other end of the band completely with an **M5x40** screw.
- f. Finish fully tightening the first screw **M5x40**.

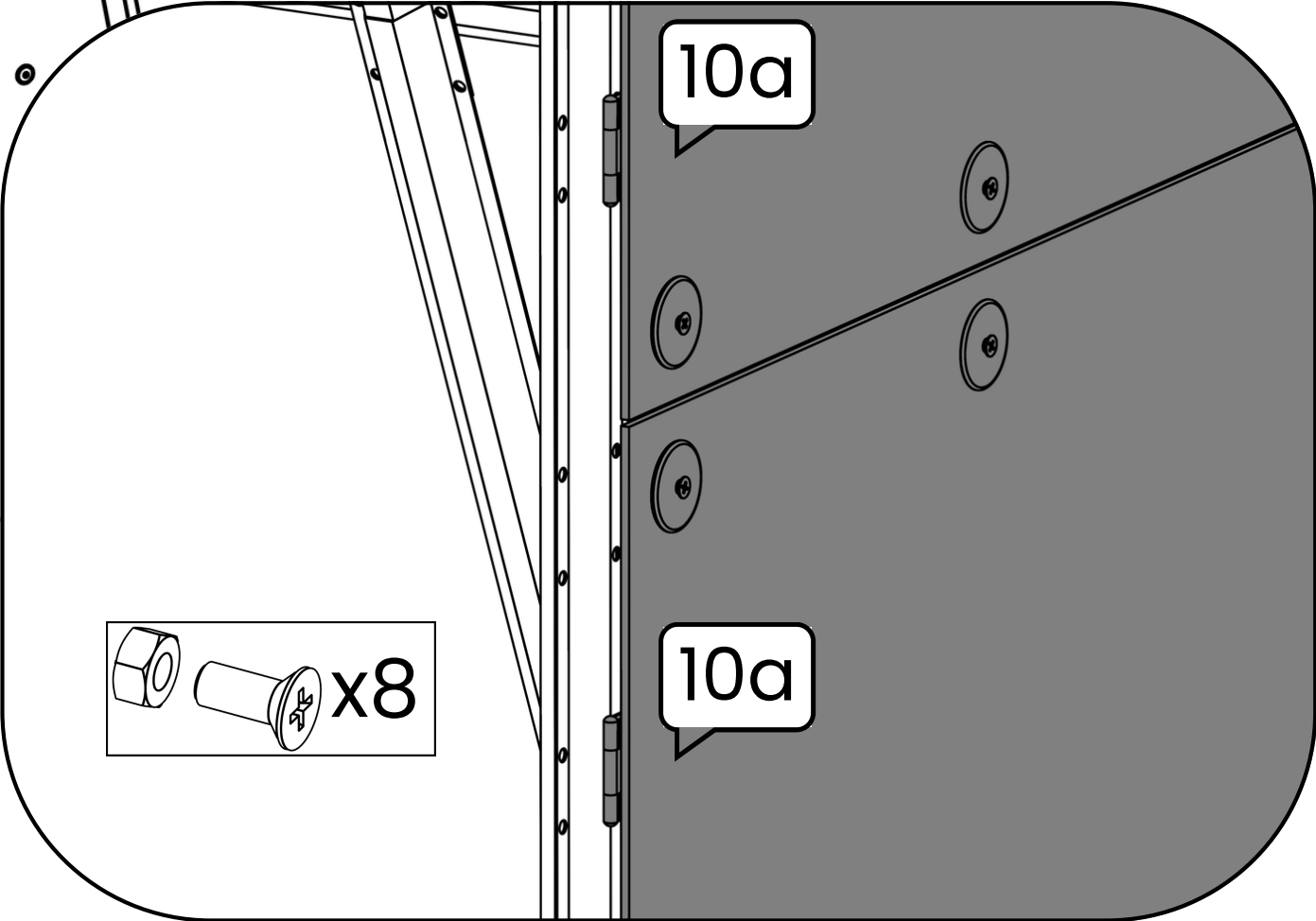
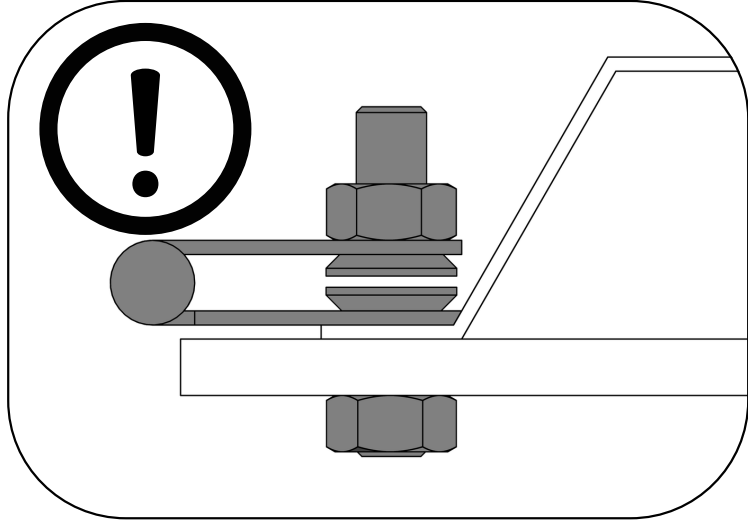


10



10a

10a



10a

10a

x8

10

