

Quality management system (QMS)
of LLC «Volya» is certified
for compliance with
standard of
ISO 9001:2008



Certified by
Russian Registry

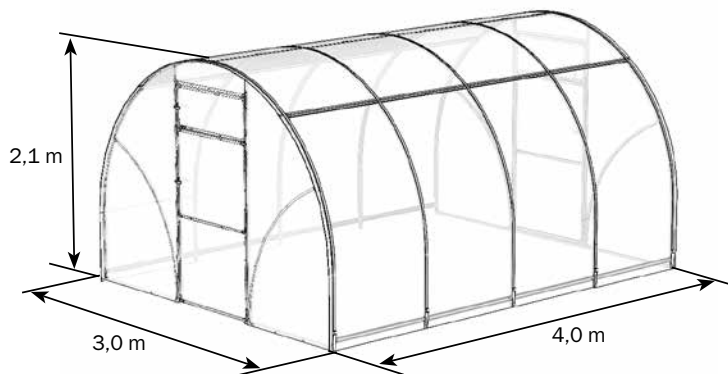


VOLYA LLC

EASY UP LIGHT EURO

model 2021

cellular polycarbonate greenhouse



Technical certificate

p. 2-9

Assembly manual

p.11-40

! The assembly and operation of the «EASY UP LIGHT EURO» greenhouse should be carried out strictly in accordance with the Assembly manual and operating rules set forth in the technical certificate. The technical certificate must be kept.

Description

The «EASY UP LIGHT EURO» greenhouse is designed to create a favorable microclimate for growing crops in allotments and family gardens.

The greenhouse is available in different lengths depending on the buyer's choice. The required length of the greenhouse is attained by buying additional boxes with extension inserts. Each insert lengthens the standard supply set of the greenhouse by 2 m. The length of the standard supply set is 4 m. The height of the installed frame of the greenhouse is 2.1 m.

The frame of the greenhouse is made of galvanized steel pipes and profiles and is assembled with screws and nuts. The kit includes everything you need for fixing the glazing. The complete set of the greenhouse is glazed at the request of the buyer. The standard supply set requires 3 sheets of 2.1 x 6 m polycarbonate 4 or 6 mm thick: one 2.1 x 6 m polycarbonate sheet for each insert.

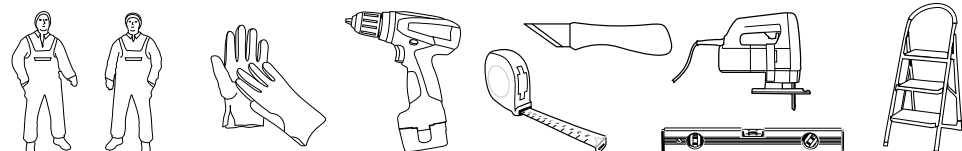
Operating rules

Before starting the operation, the greenhouse should be assembled and installed according to the assembly manual instructions. When installing the greenhouse by third parties, the buyer should check the assembly quality for compliance with the Assembly manual instructions.

Do not install the greenhouse close to buildings and trees from which snow or ice may fall. The distance of at least 2 m is recommended.

The greenhouse is designed to withstand the wind speed no more than 24 m/s.

The maximum snow load for the framework occurs when the weight of a snow cover is 60 kg per 1 m² of the horizontal surface of the ground. It is necessary to avoid exceeding the snow load on the greenhouse: either to remove snow from the greenhouse after each snowfall, or remove the greenhouse glazing for winter, or install the sliding panels over all spans of the frame and shift them to the lower position for winter.



Cleaning and washing polycarbonate panels

1. Rinse the panel with warm water.
2. Wash the panel with a mild soap solution or household detergent and warm water, using a soft cloth or sponge to remove dirt.
3. Rinse with cold water and wipe with a soft cloth.

Do not use abrasives or highly alkaline cleaning agents to clean polycarbonate panels. Dry wiping of the surface will damage the protective layer of the glazing and shorten its effective life. Do not rub the surface of polycarbonate panels with brushes, metallic fabric or other abrasive materials. When disinfecting a greenhouse from pathogens of fungal and bacterial diseases, do not apply sulfur candles to avoid corrosion of the frame.

Warranty

Claim submission period is 24 months from the date of purchase.


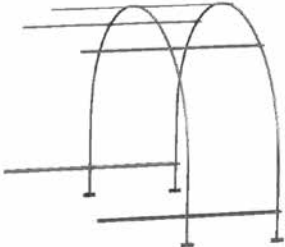
Warranty does not apply to cases if:

1. Installation of the structure in violation of the requirements of the instructions.
2. Violation of the operating rules.
3. Misuse of the structure.
4. The presence of corrosion traces on the cutoffs of parts, because this does not affect the performance of the structure.
5. Greenhouse deformations due to excess of snow load stated in the technical certificate of the greenhouse.
6. Greenhouse deformations due to soil movement.
7. Floods, hurricanes, and other natural disasters.

Manufactured date:

















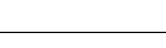
The manufacturer: 000 Volya, 8 Severny lane, Dubna, Moscow region, 141983, Russia
 Telephones: 8(495)598-5-999
 www.teplicity.ru e-mail: info@perchina.ru
 The manufacturer bears responsibility for the quality of products in accordance with RF CC.
 The manufacturer reserves the right for vent engineering design changes.

LIST OF PARTS FOR ASSEMBLY





GREENHOUSE	BOX 1	BOX 2	BOX EXTENTION
<p>EASY UP LIGHT EURO 3 m x 4 m BASELINE MODEL</p> 	+	+	-
<p>EXTENTION FOR GREENHOUSE 2m</p> 	-	-	+

























STANDARD SUPPLY SET











BOX 1

Nº	marking	denomination	q-ty, pcs
1	1	Leg 	10
2	1-2	End wall leg 	4
3	2	Purlin 	20
4	8-1	End wall connecting bar 	2
5	8-2	End wall corrugated connecting bar 	2
6	9-2	Doorway post for hinges 	2
7	9-1	Doorway post 	2
8	10	Doorway tie 	2
9	12	Door vertical element for hinges 	2
10	12-1	Door vertical element 	2
11	12-2	Window vertical element for hinges 	2
12	12-3	Window vertical element 	2
13	13-1	Door/window horizontal element 	6
14	13	Door horizontal element medium 	2
15	13-2	Window horizontal element 	2
16	-	Profile L=1050 mm 	4
17	-	Profile L=1000 mm 	4

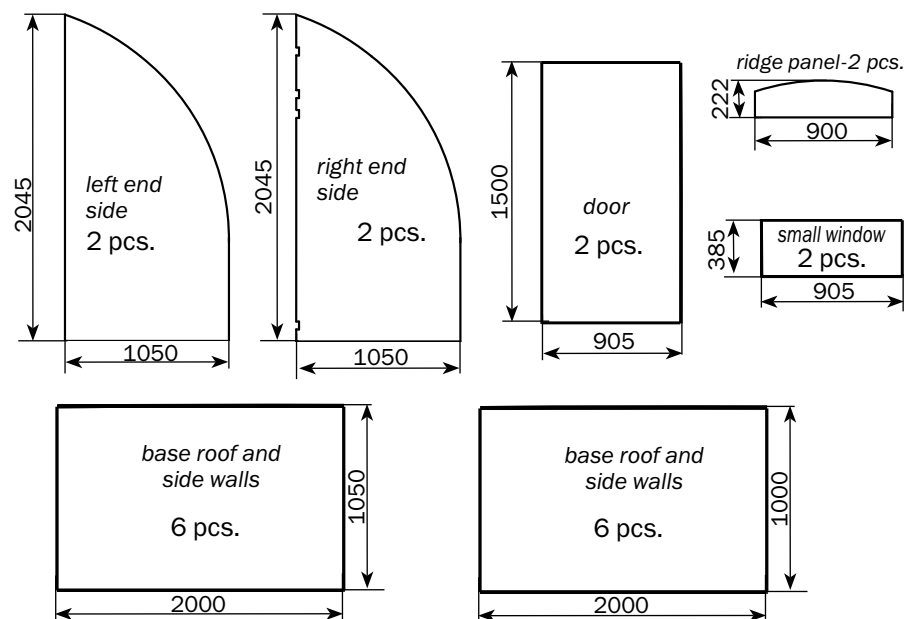
BOX 2

Nº	marking	denomination	q-ty, pcs
18	4T	End wall arch 	4
19	4BT	Upper end wall arch 	2
20	4B	Upper arch 	3
21	4H	Lower arch 	6














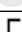






22	4HT	Lower end wall arch right		2
23	4HT-1	Lower end wall arch left		2
24	-	Inner clamp		15
25	-	Outer clamp		15
26	-	End wall clamp		10
27	-	40x20 clamp		4
28	-	40x20 clamp		4
29	-	20x20 clamp		40
30	-	20x20 angle clamp		32
31	-	Hinge		8
32	-	Handle kit		4
33	3	Support		14
34	-	Handle bushing		4
35	-	Latch		4
36	-	Stop bar		4
37	-	Door holder kit (hooks)		2
38	-	Washer 10		4
39	-	Adhesive tape		1
40	-	M4x12 screw		40
41	-	M4x35 screw		16
42	-	M5x30 screw		36
43	-	M6x16 screw		40
44	-	4.8x19 self drilling screw		269
45	-	4.8x11 sharp-tipped screw		4

46	-	32x4 washer		16
47	-	M4 nut		72
48	-	M5 nut		36
49	-	M6 nut		50
50	-	Top metal fastening band		5
51	-	Bottom metal fastening band		10
52	-	Double-sided tape L=10 m		1
53	-	M6x60 bolt		10
54	-	M4x25 screw		16
55	-	6 washer		20

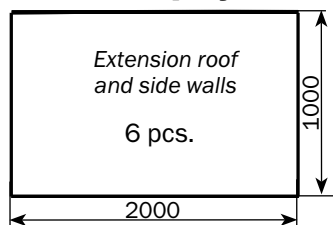
EASY UP LIGHT EURO polycarbonate walls

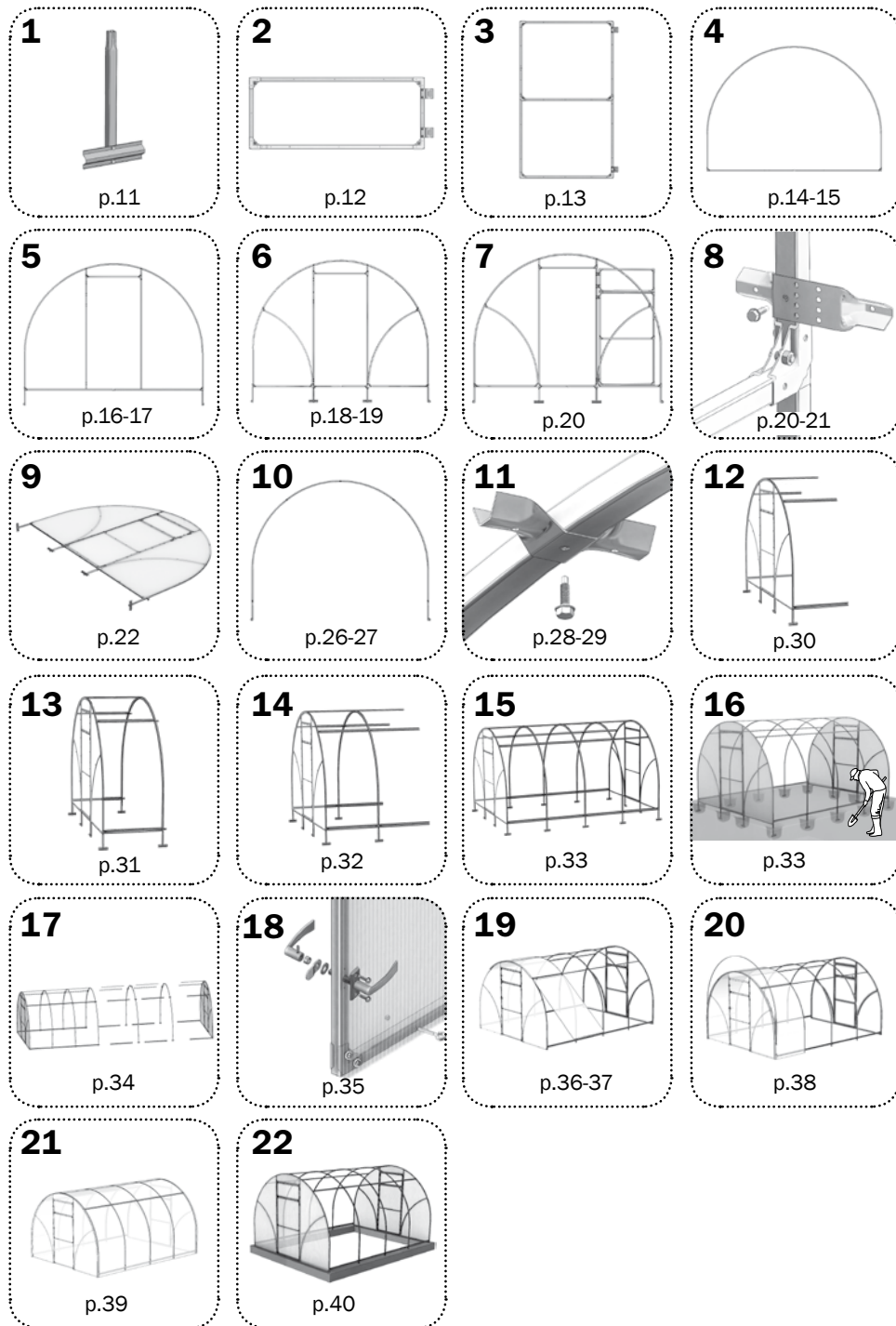


EXTENSION INSERT KIT
BOX EXTENTION

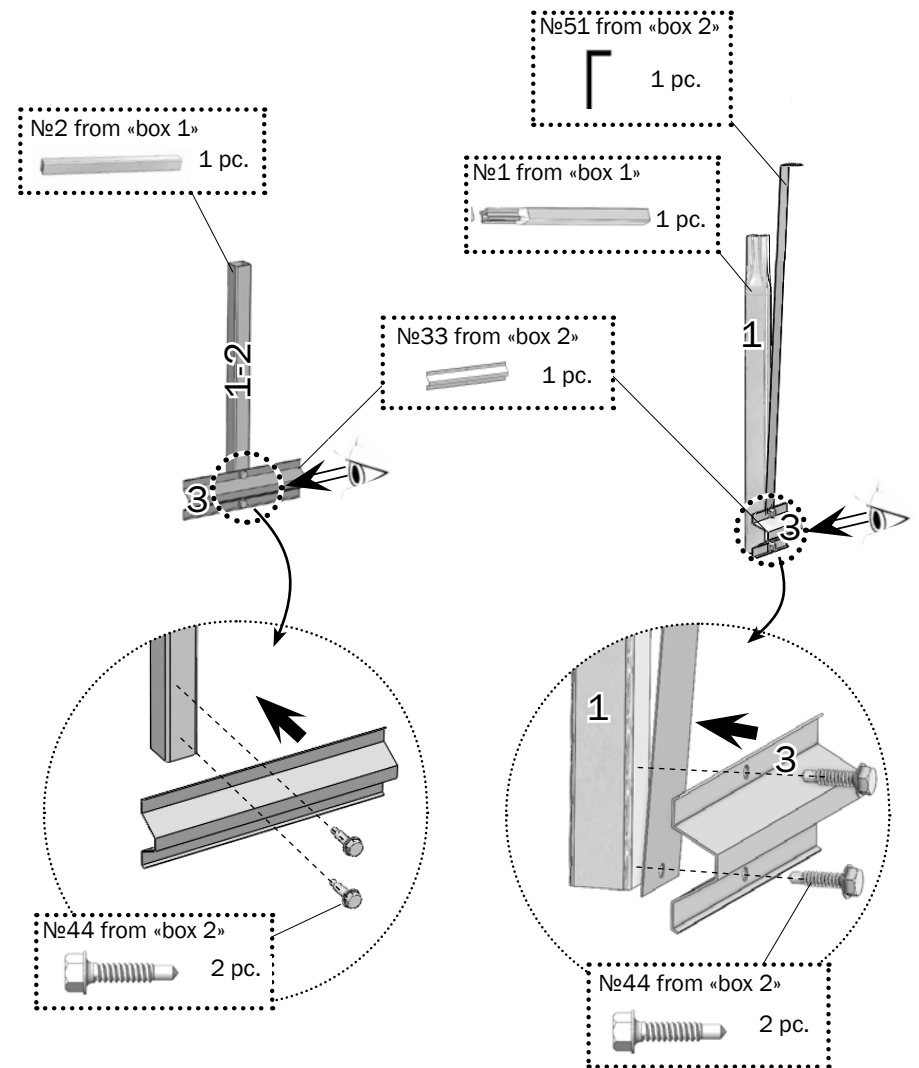
Nº	marking	denomination	q-ty, pcs
56	1	Leg 	4
57	2	Purlin 	10
58	4B	Upper arch 	2
59	4H	Lower arch 	4
60	3	Support 	4
61	-	Inner clamp 	10
62	-	Outer clamp 	10
63	-	M4x12 screw 	20
64	-	M4x35 screw 	8
65	-	M4 nut 	36
66	-	32x4 washer 	8
67	-	4.8x19 self drilling screw 	22
68	-	Top metal fastening band 	2
69	-	Bottom metal fastening band 	4
70	-	Profile L-1000 mm 	4
71		M6x60 bolt 	4
72	-	M4x25 screw 	8
73	-	M6 nut 	4
74	-	6 washer 	8
75	-	Double-sided tape L=5 m 	1

EASY UP LIGHT EURO polycarbonate walls

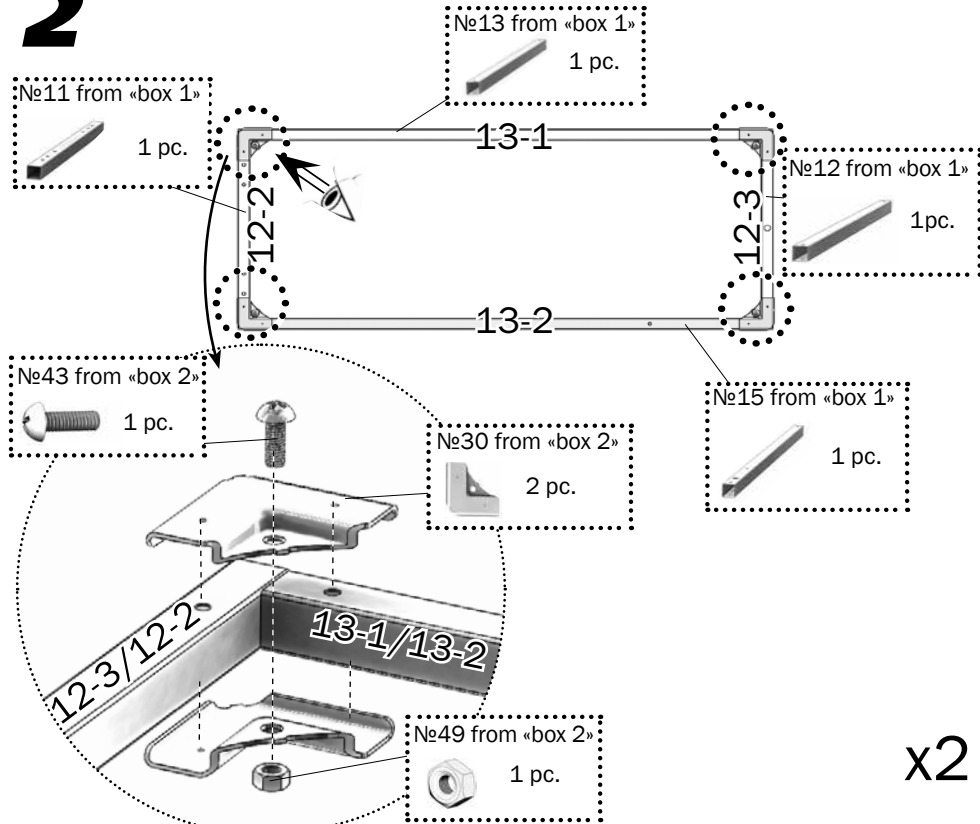




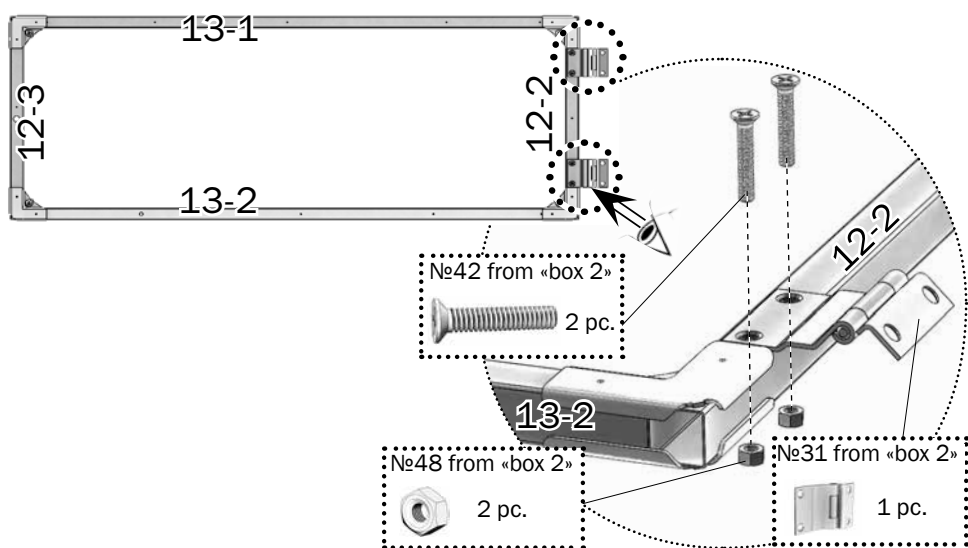
1 If the greenhouse is mounted on a foundation (see para.22), the elements **1** and **3** are not assembled and are not mounted in the subsequent assembly.



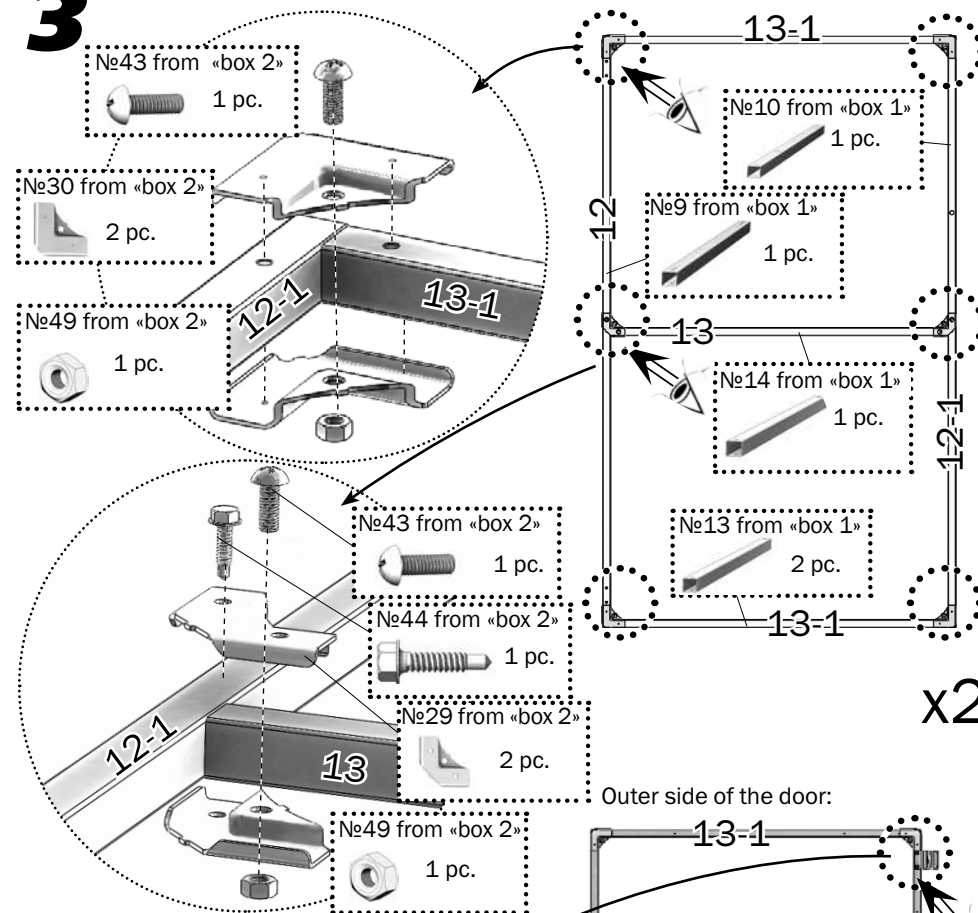
2 Inner side of the window. Perforation on the elements from the backside:



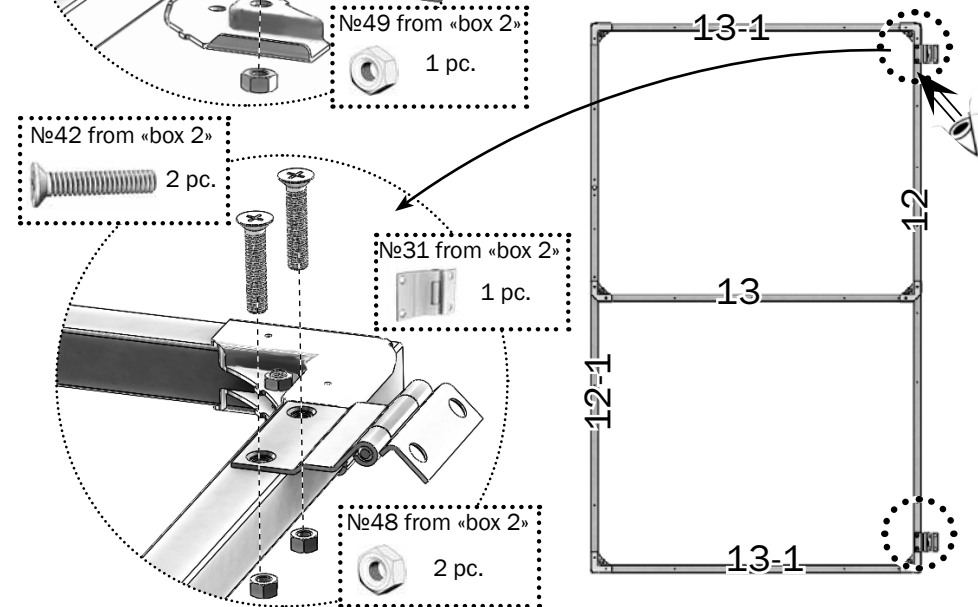
Outer side of the window:



3 Inner side of the door. Perforation on the elements from the backside:

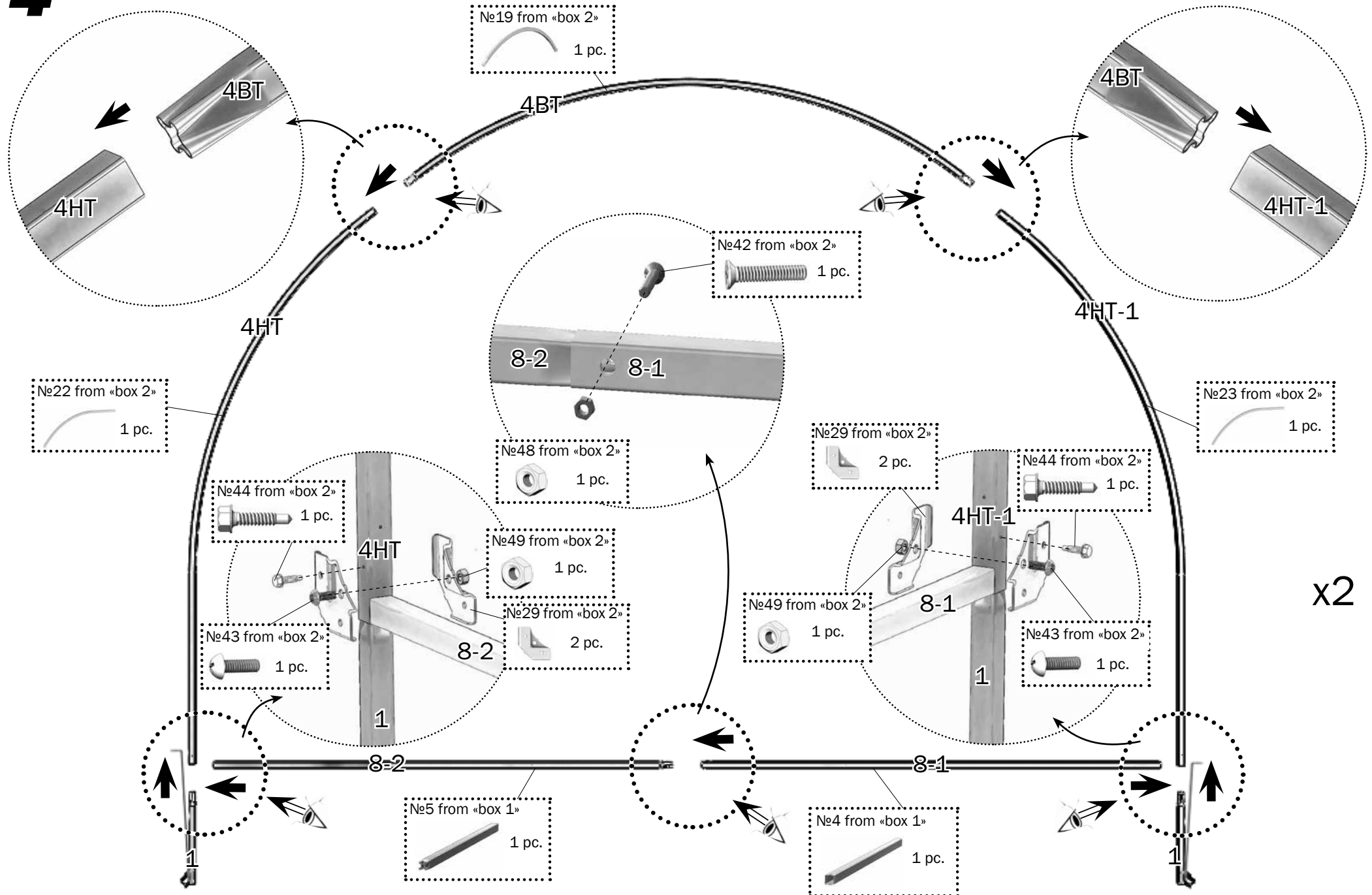


Outer side of the door:



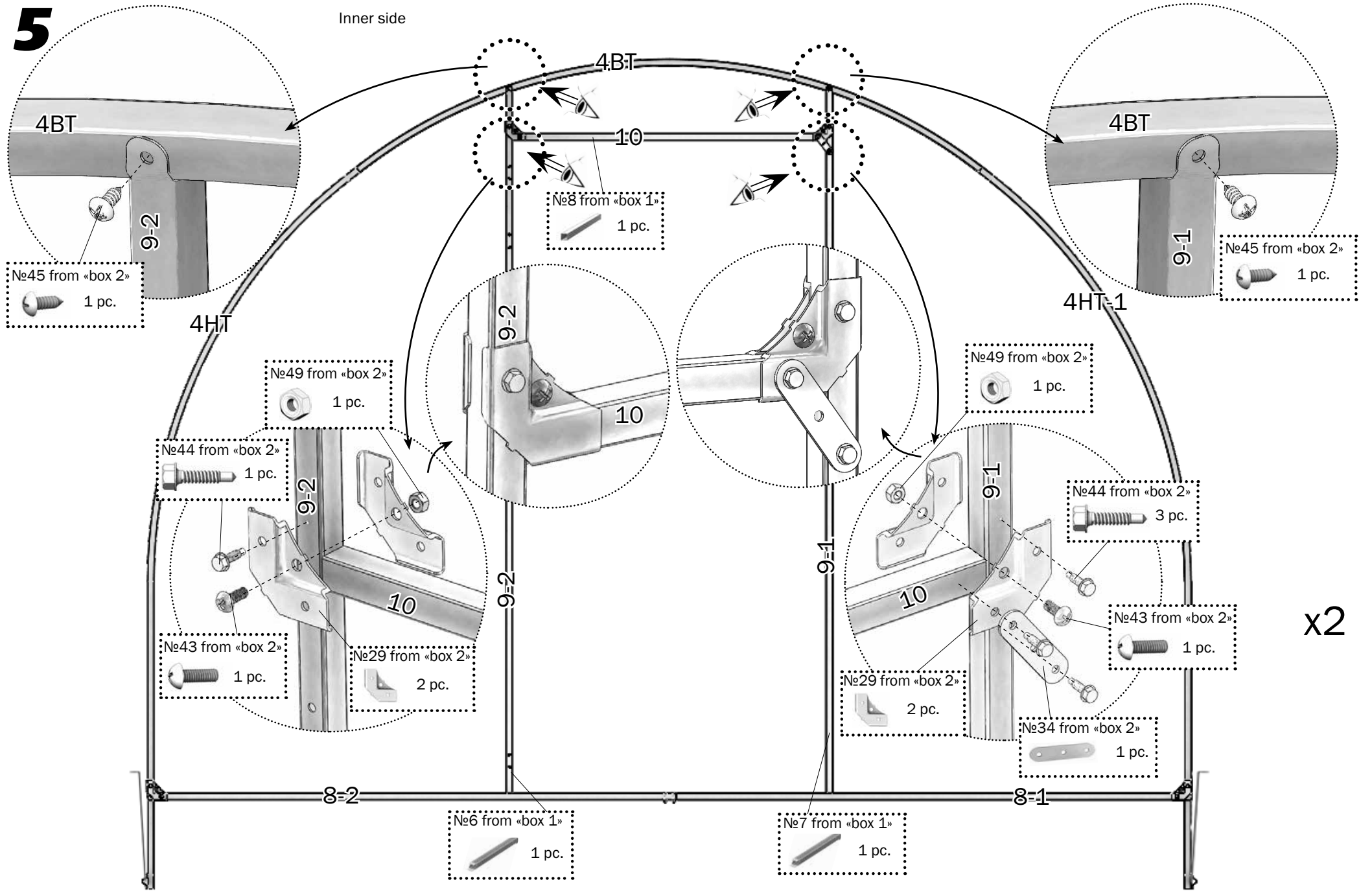
4

Inner side of the end wall. Perforation on the elements from the backside:

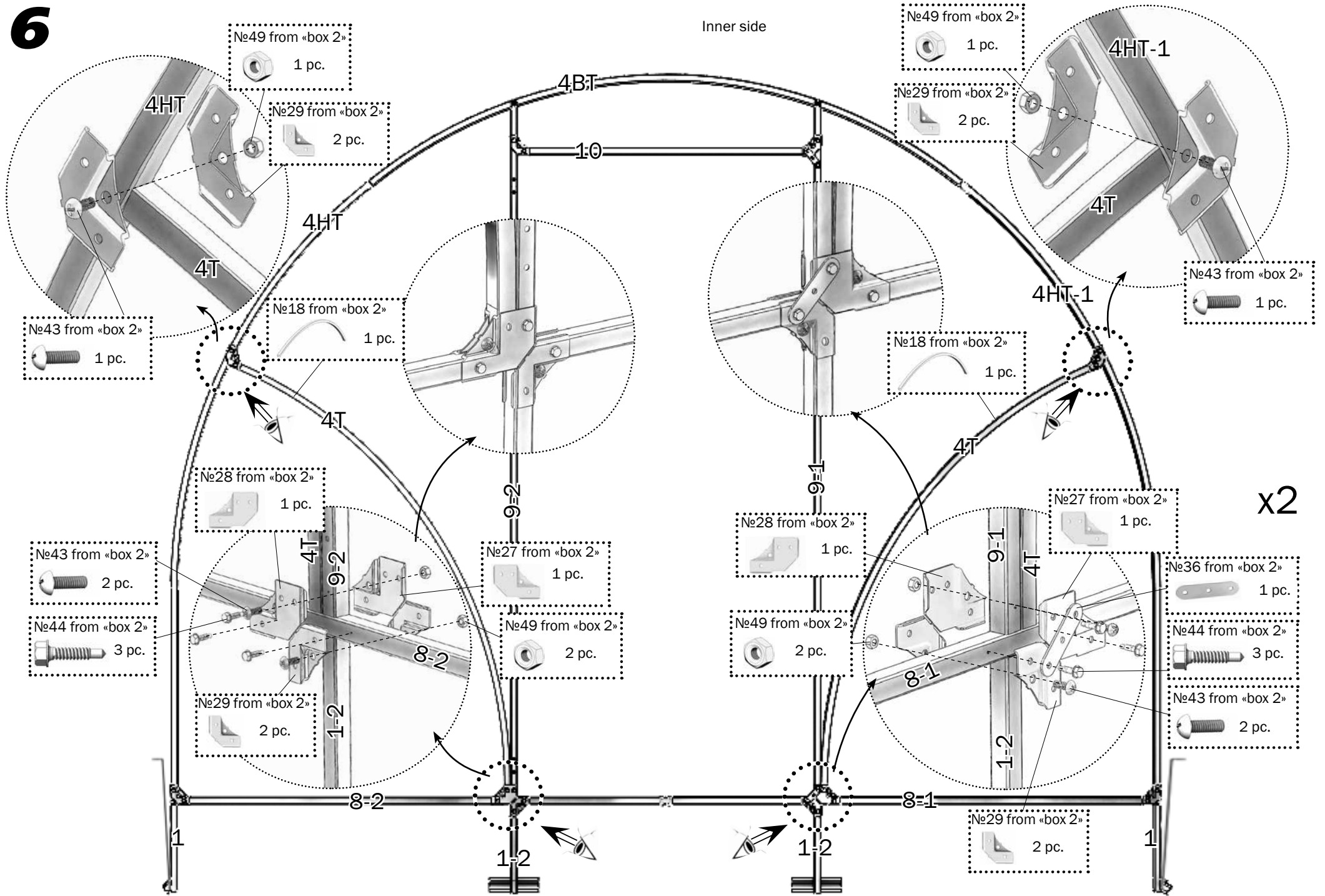


5

Inner side

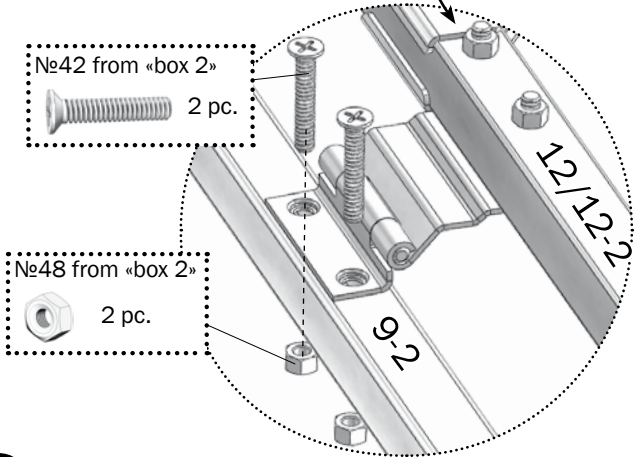
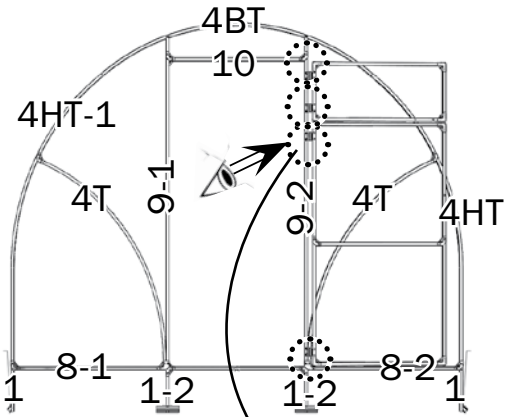


6

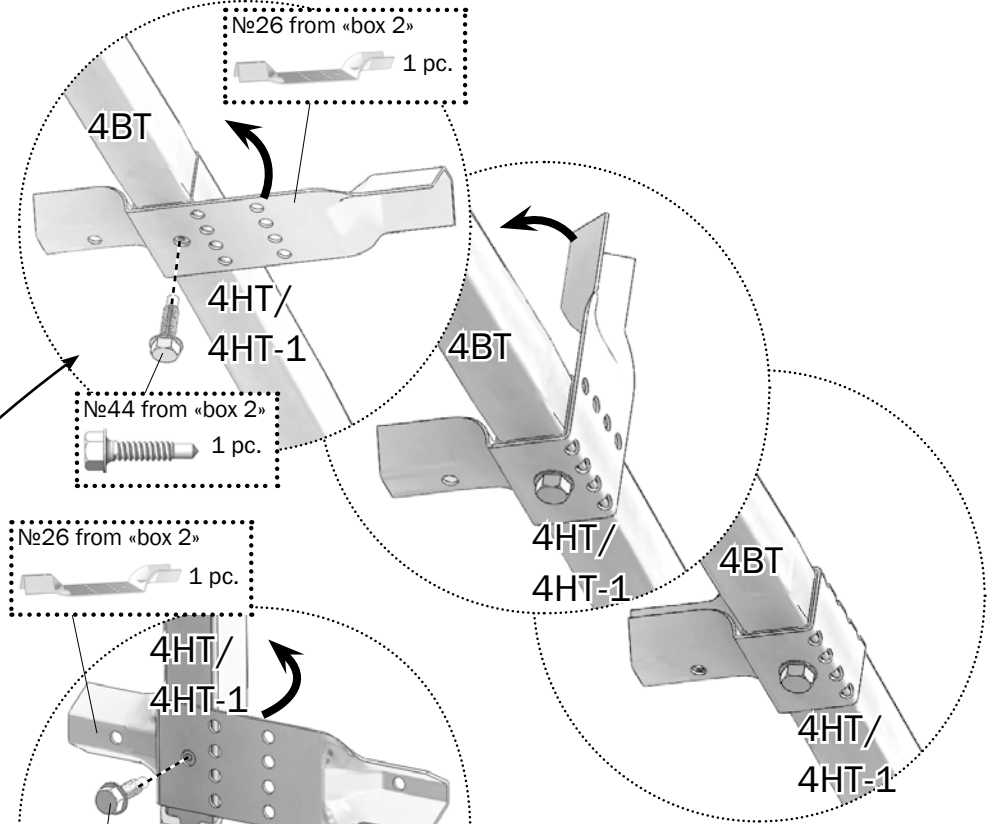


7

Outer side

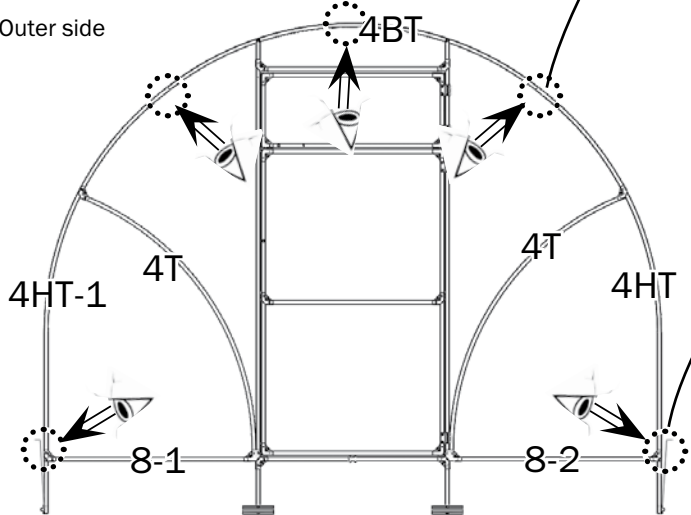


x2

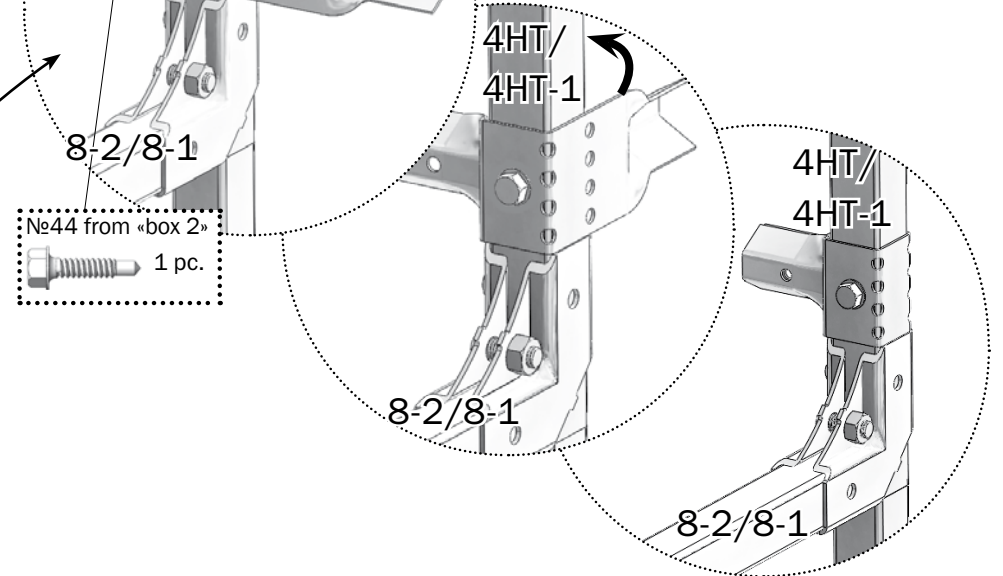


8

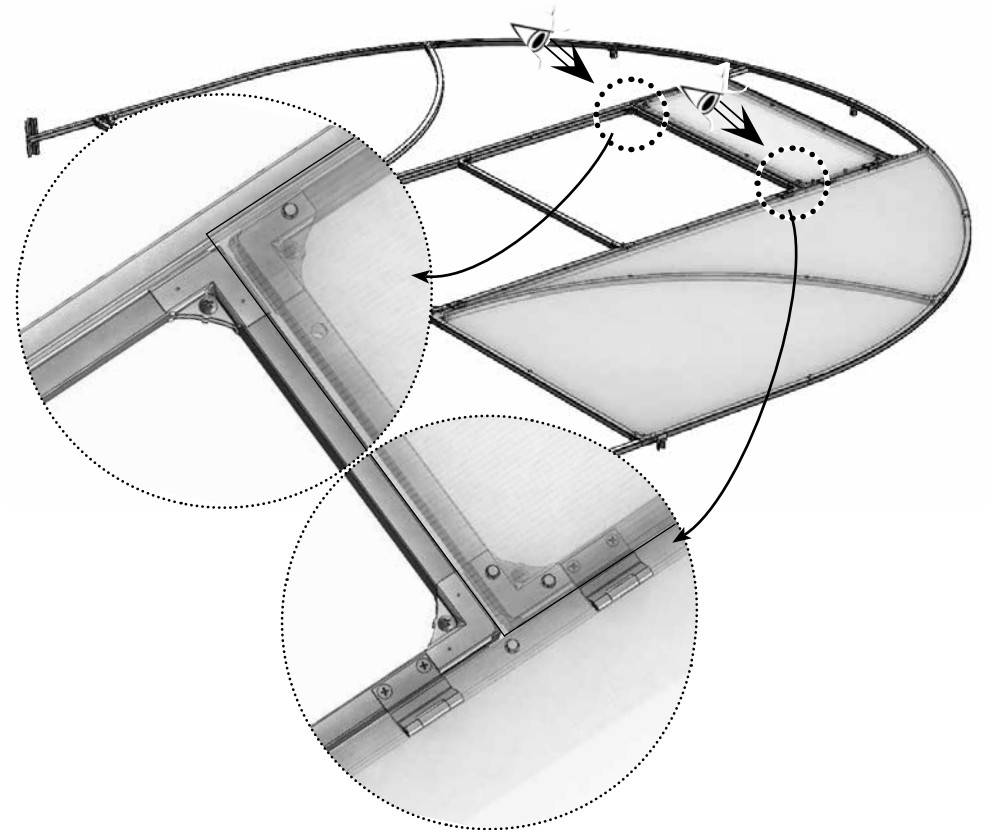
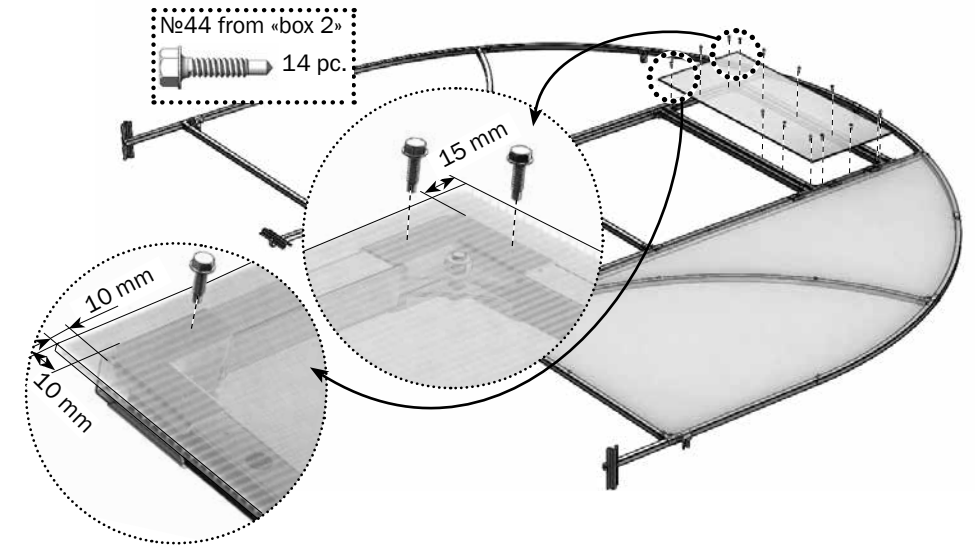
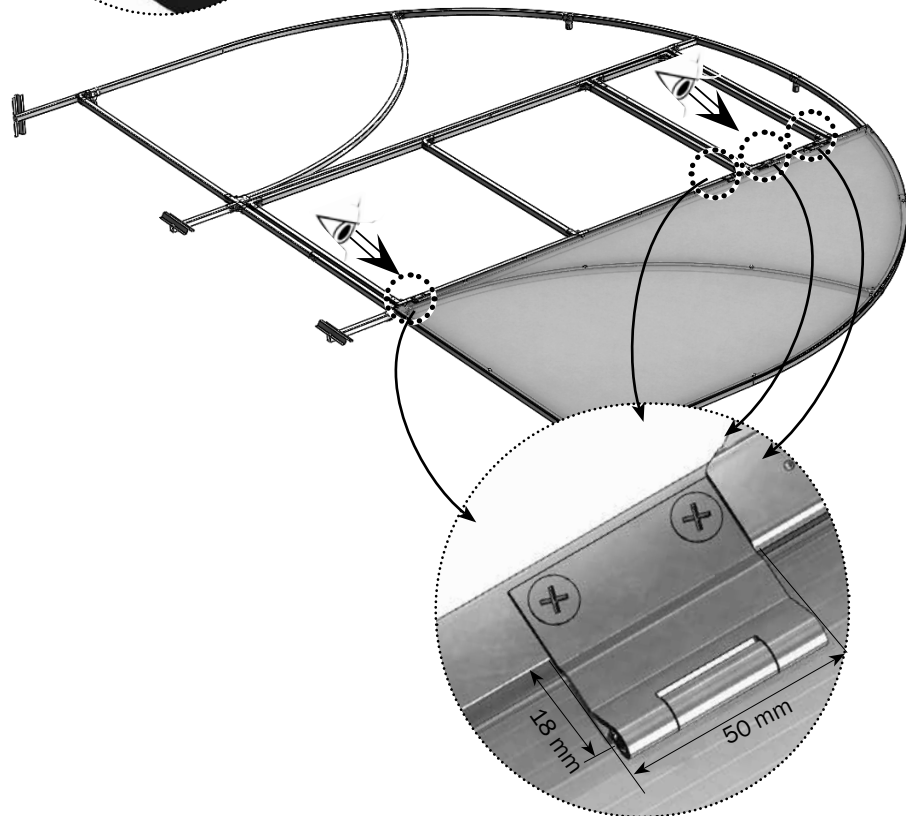
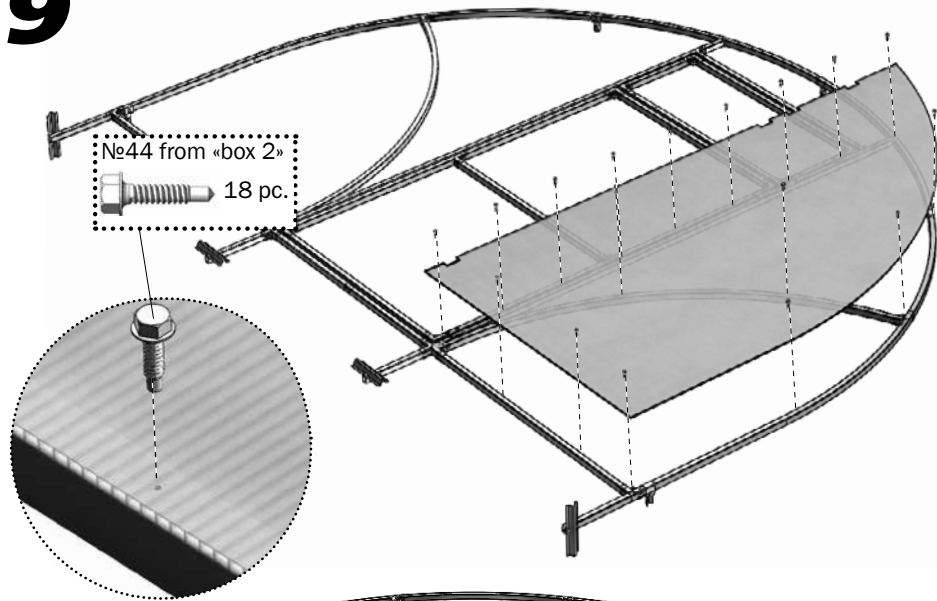
Outer side

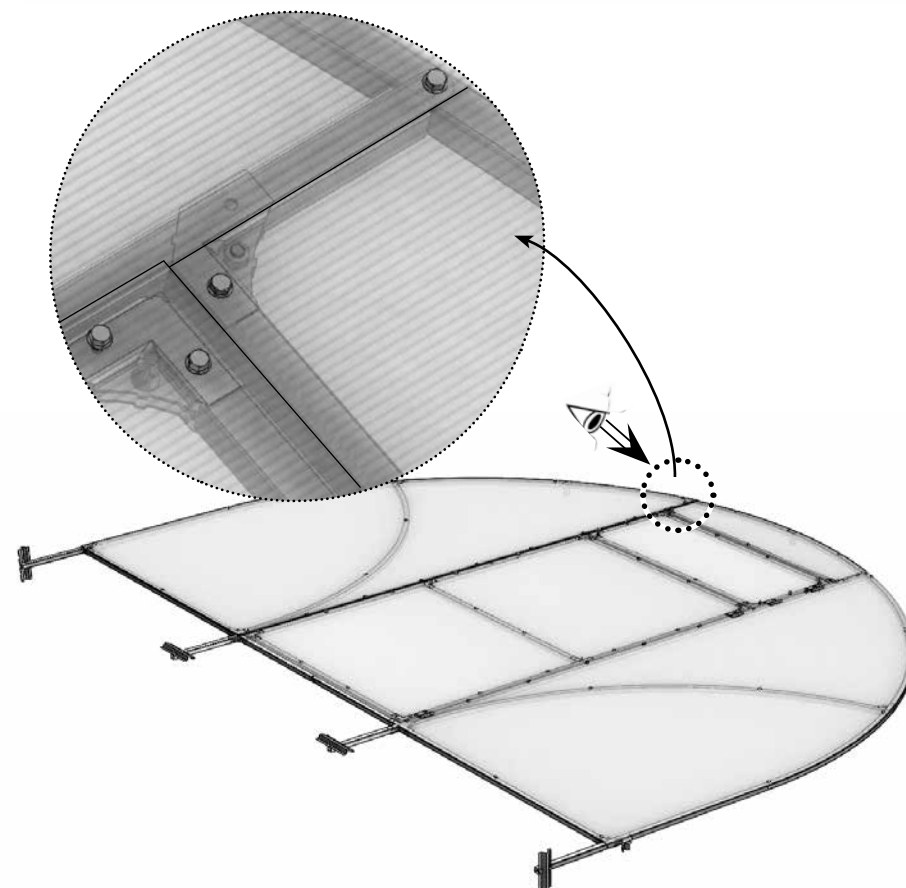
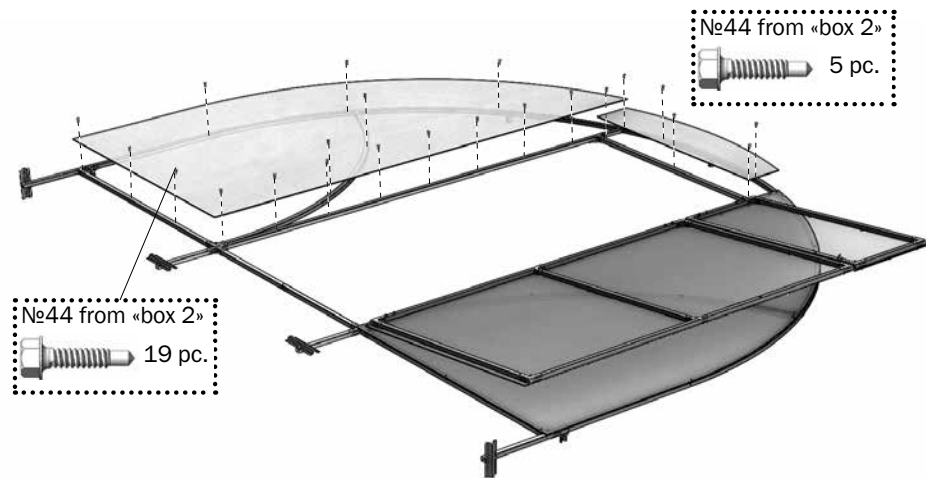
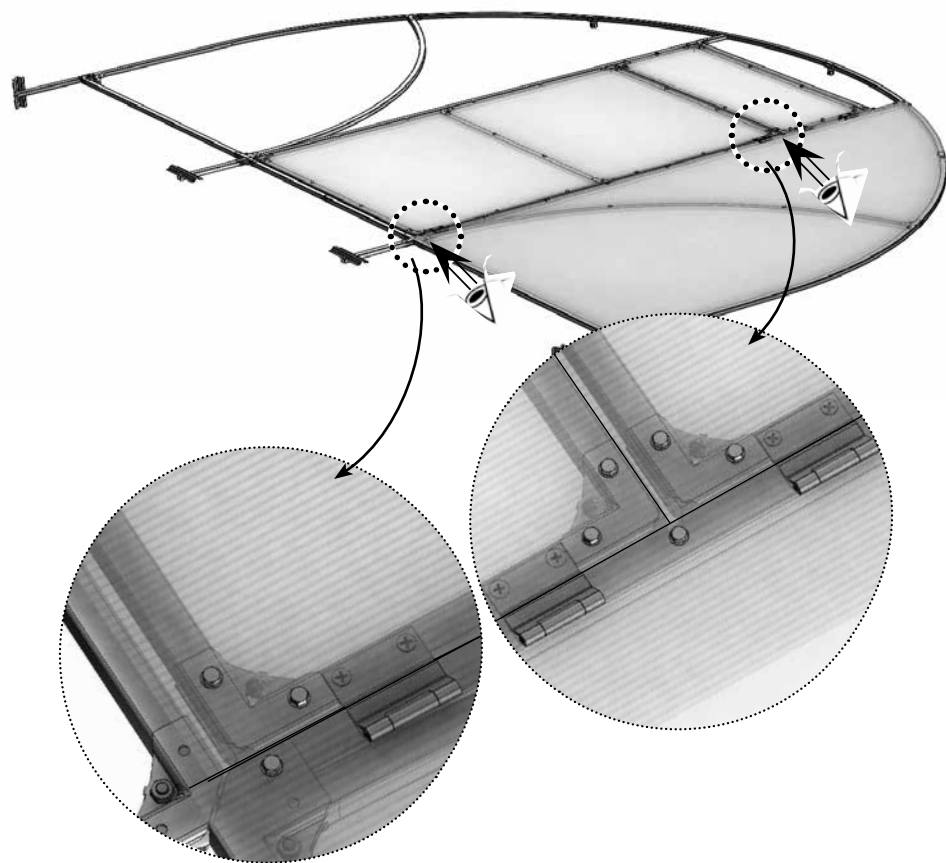
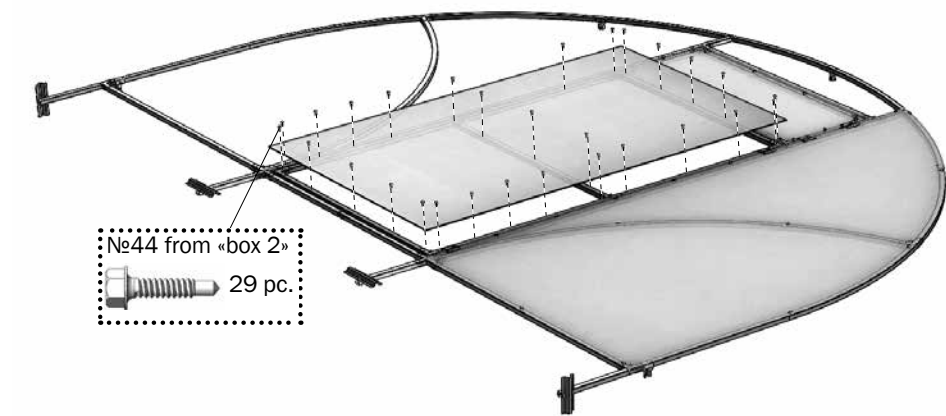


x2

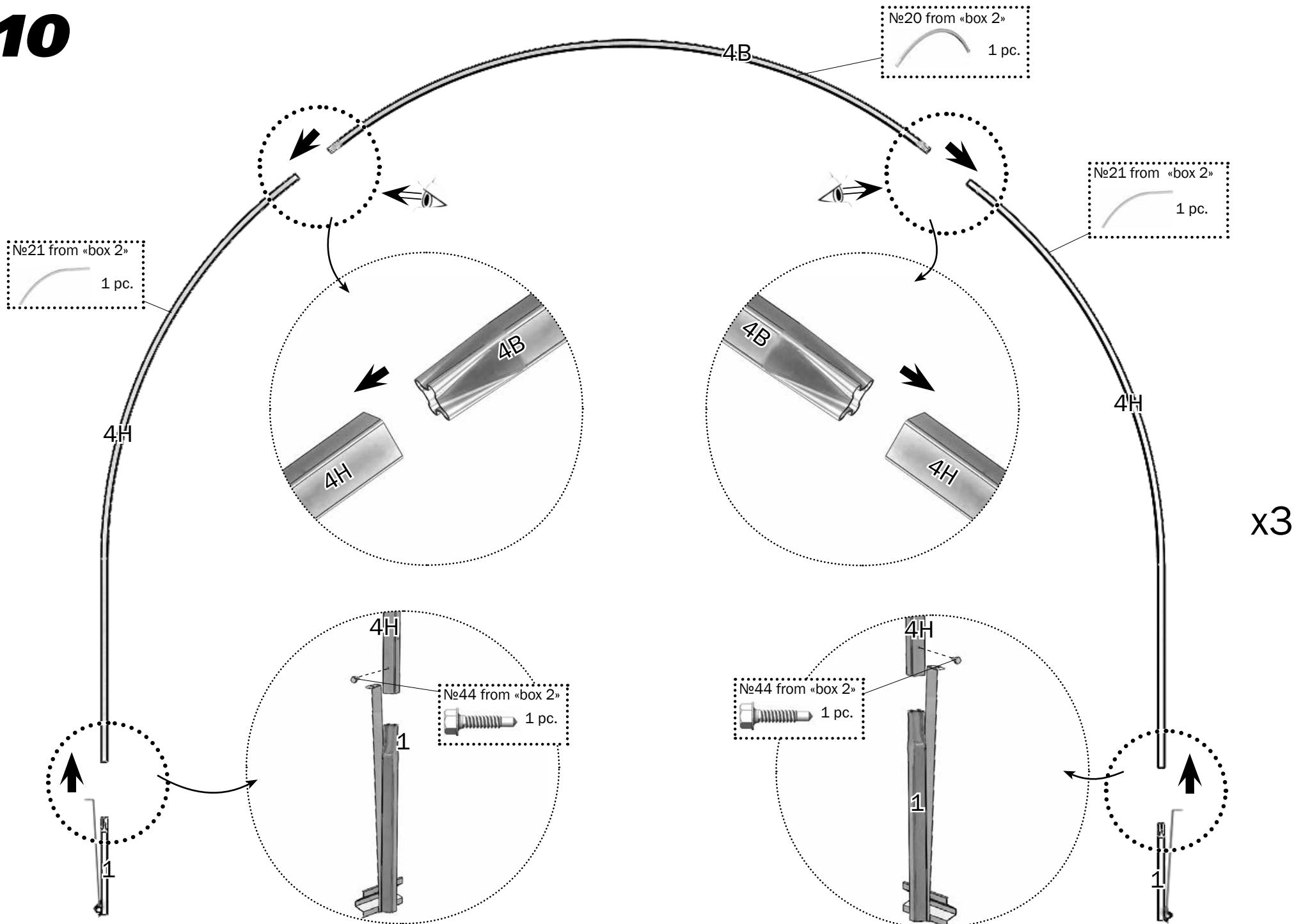


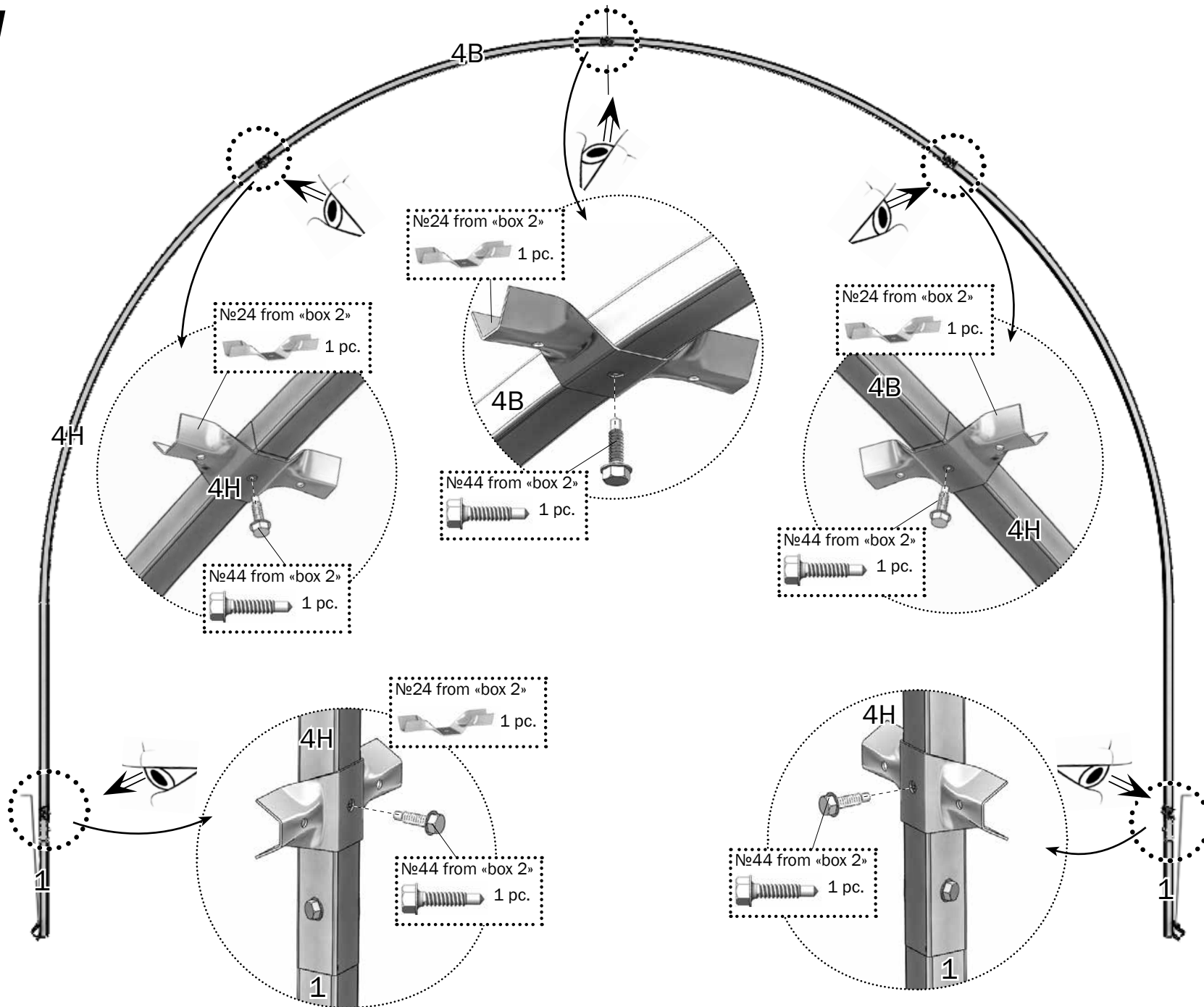
9



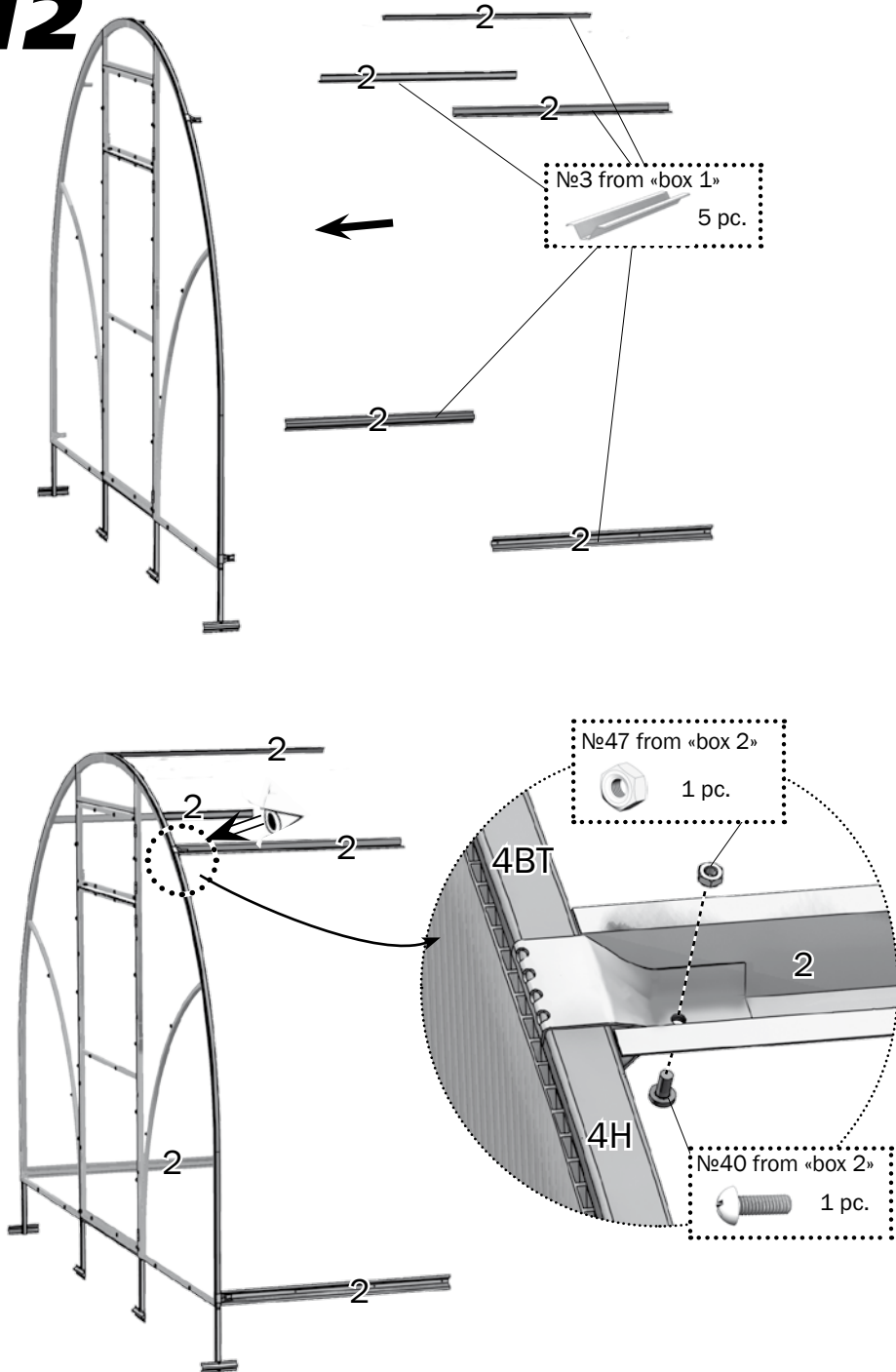


10

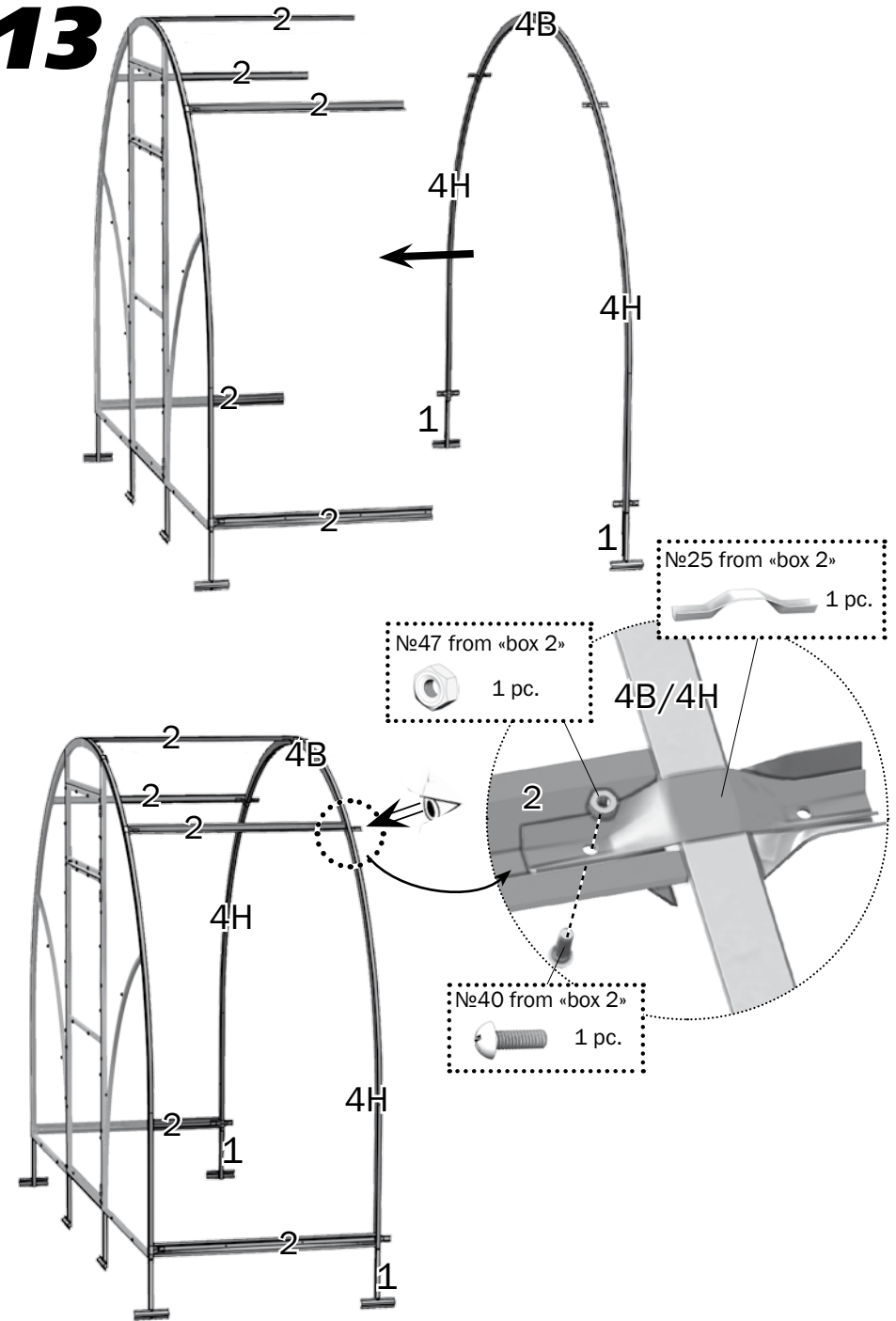




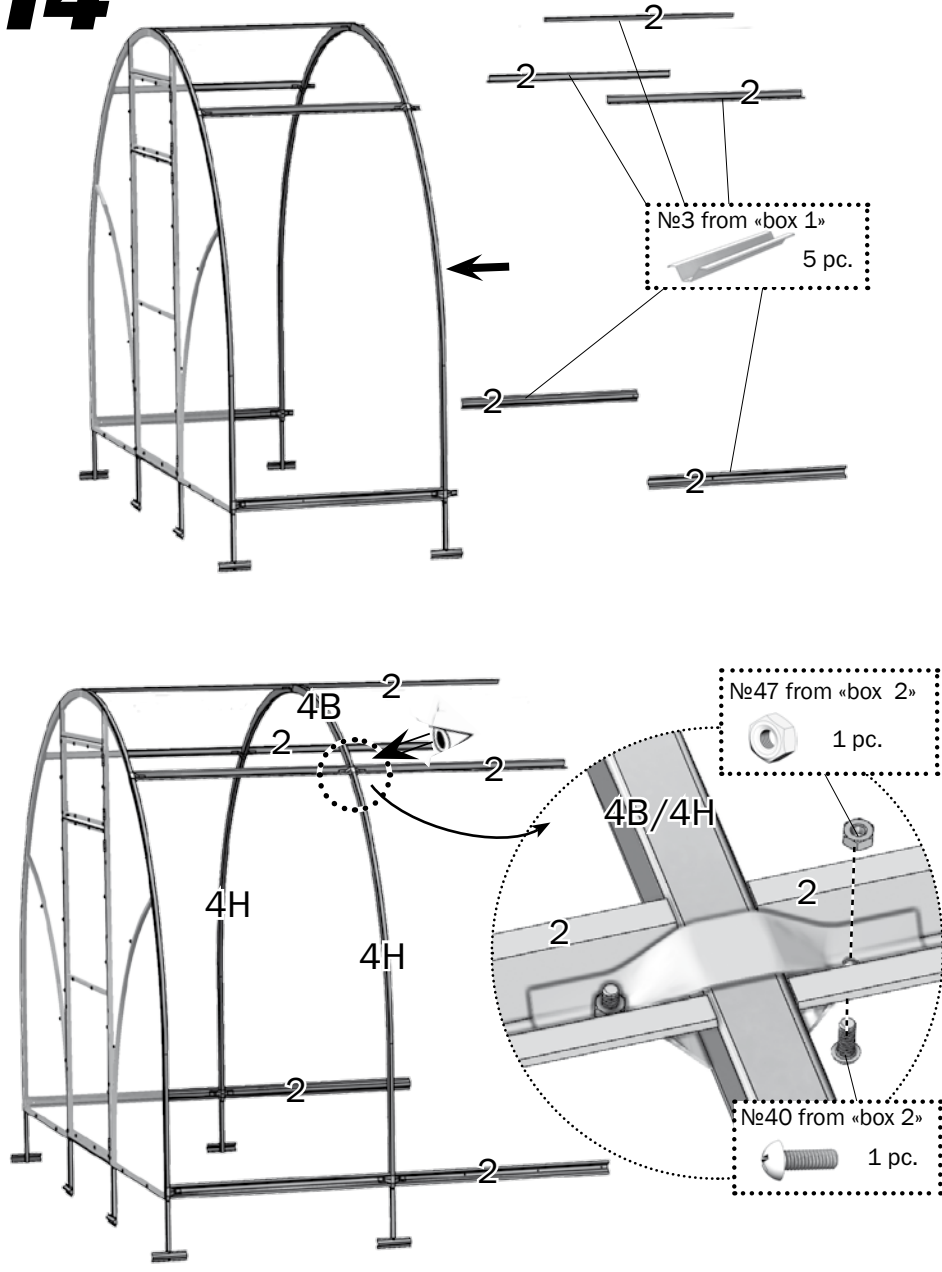
12



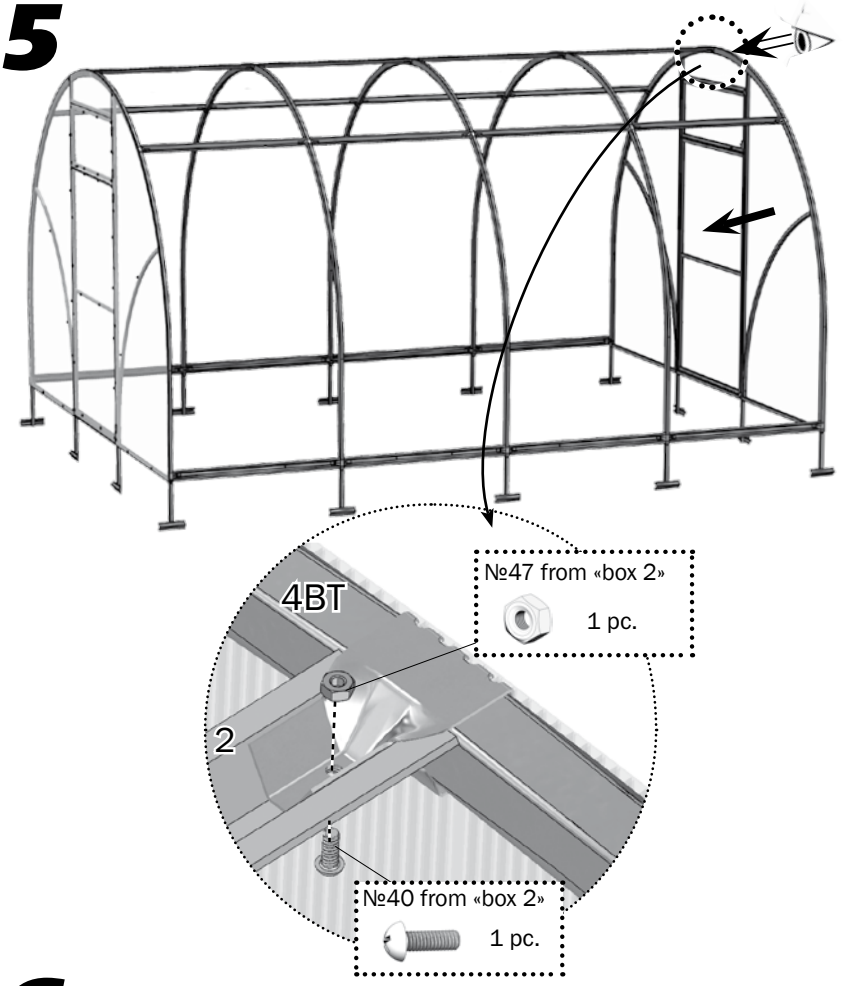
13



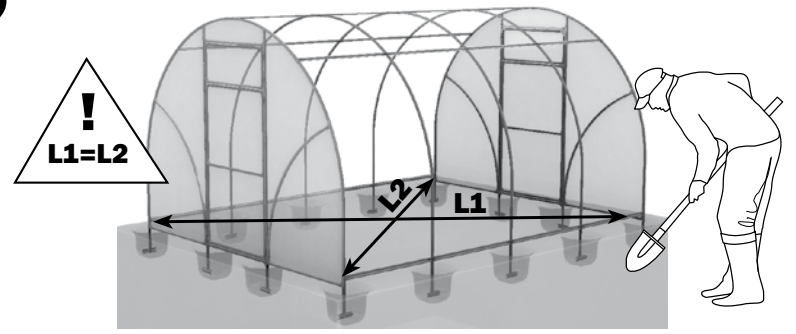
14



15

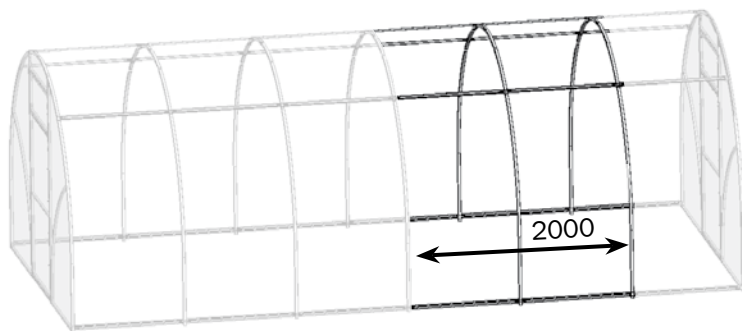
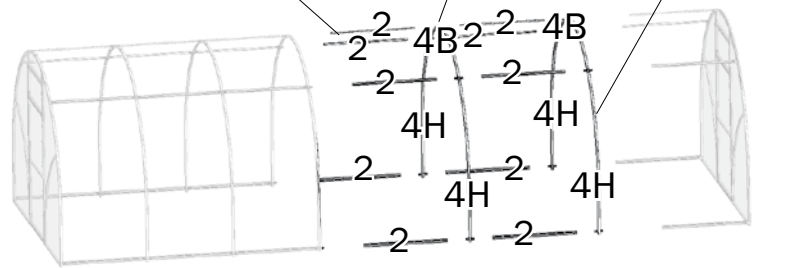


16

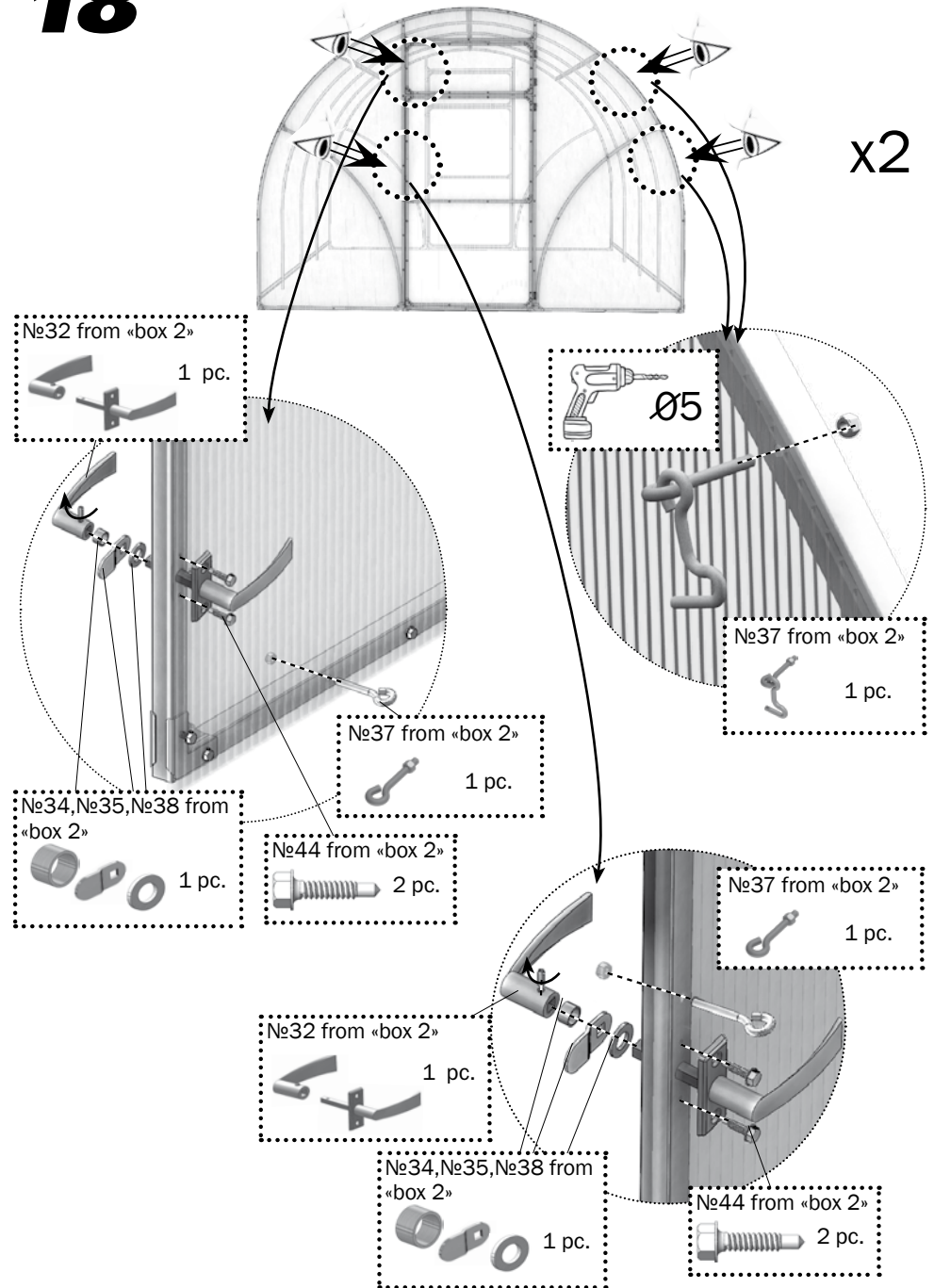


17 LENGTHENING OF THE BASE WITH THE INSERT

- №57 from «box EXTENTION» 10 pc.
- №58 from «box EXTENTION» 2 pc.
- №59 from «box EXTENTION» 4 pc.

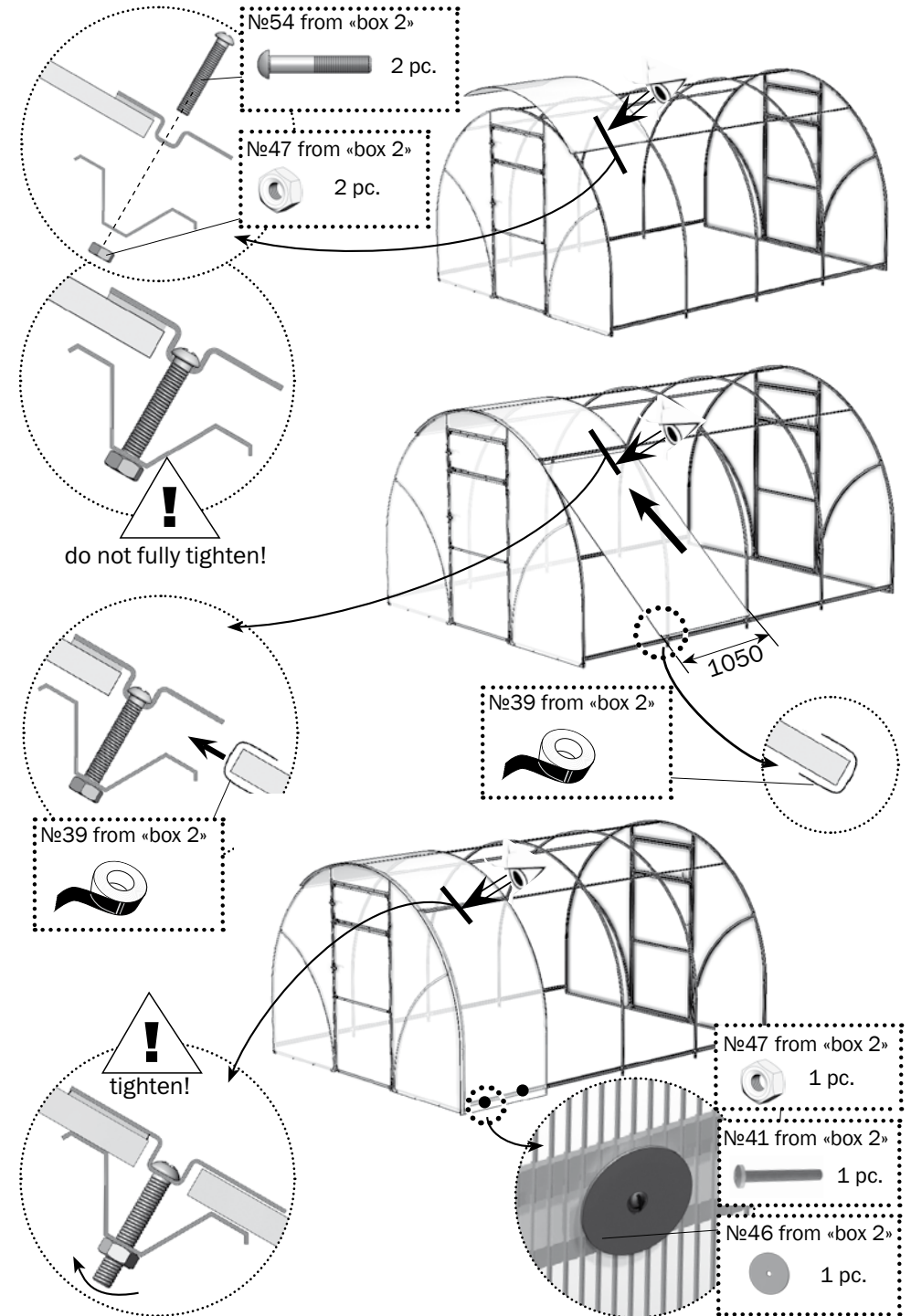
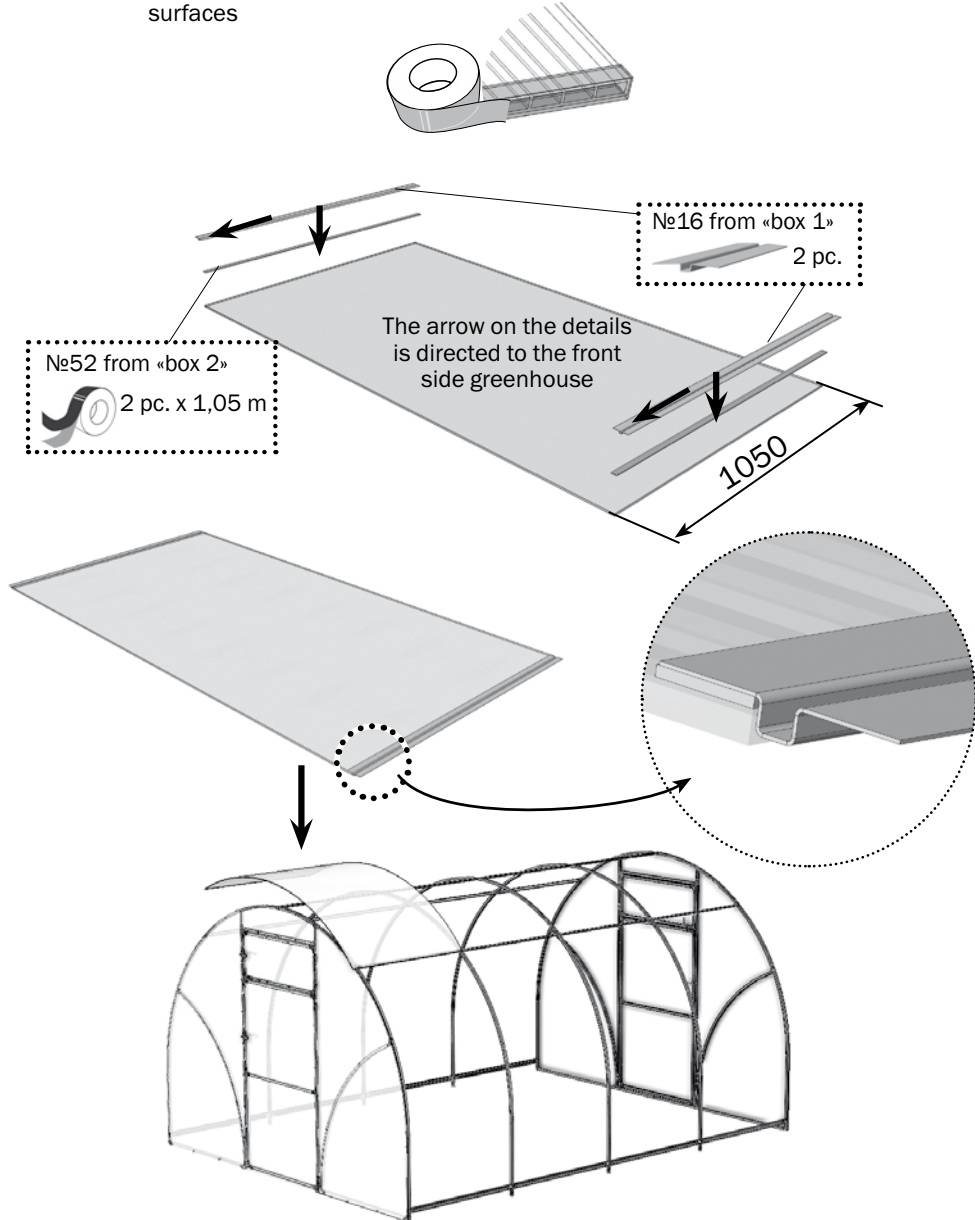


18

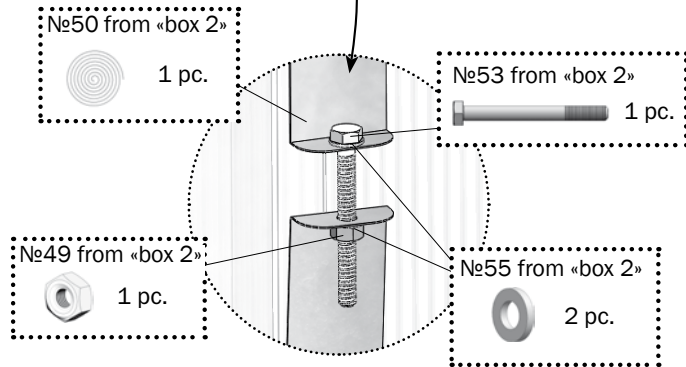
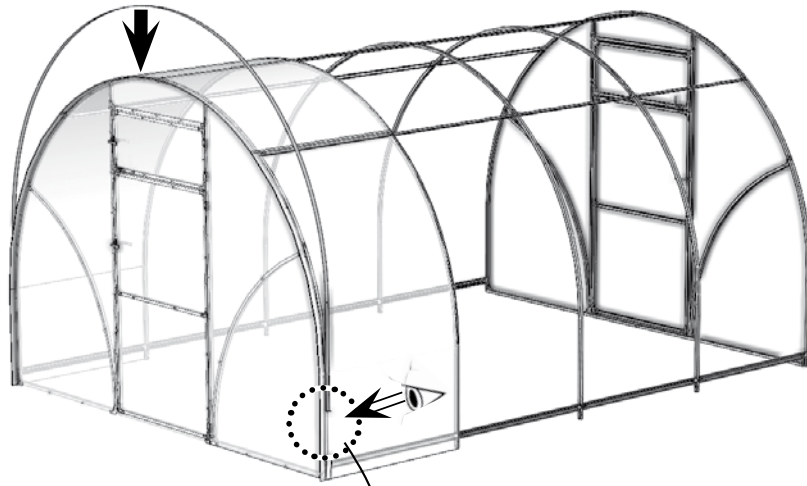


19 Cellular polycarbonate panels are installed with a certain surface, which has a protective layer, outside (towards the sun). The protective layer usually has a side with the inscriptions on the transportation film. The other side of the film is transparent. Mark the protective side of the sheet in each panel because after removing the transportation film, the sides of the panel do not visually differ. The transportation film should be removed from both surfaces before fixing the glazing on the frame.

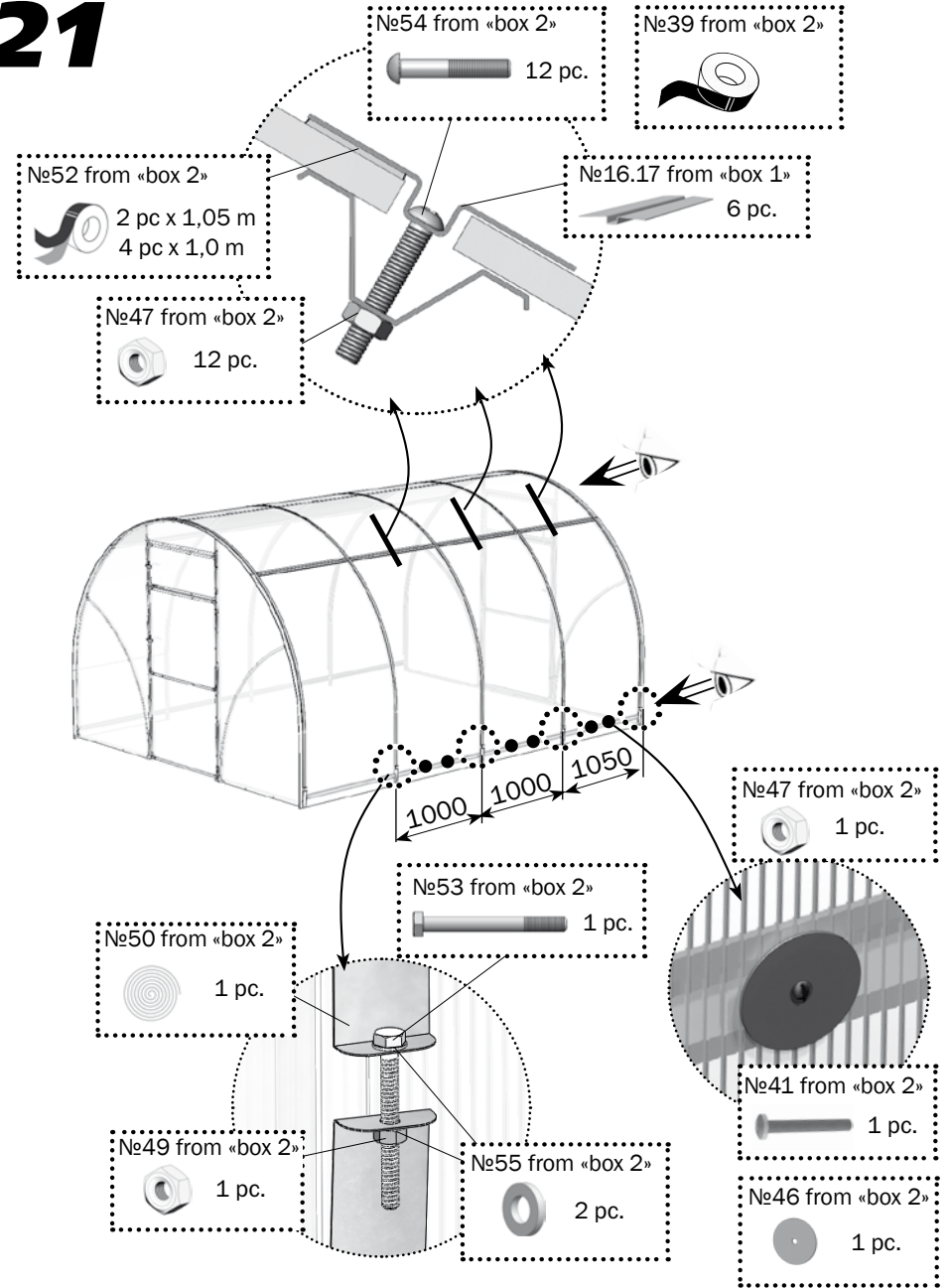
It is necessary to stick the adhesive tape over the open polycarbonate shearing surfaces



20



21



22

MOUNTING ON THE FOUNDATION

